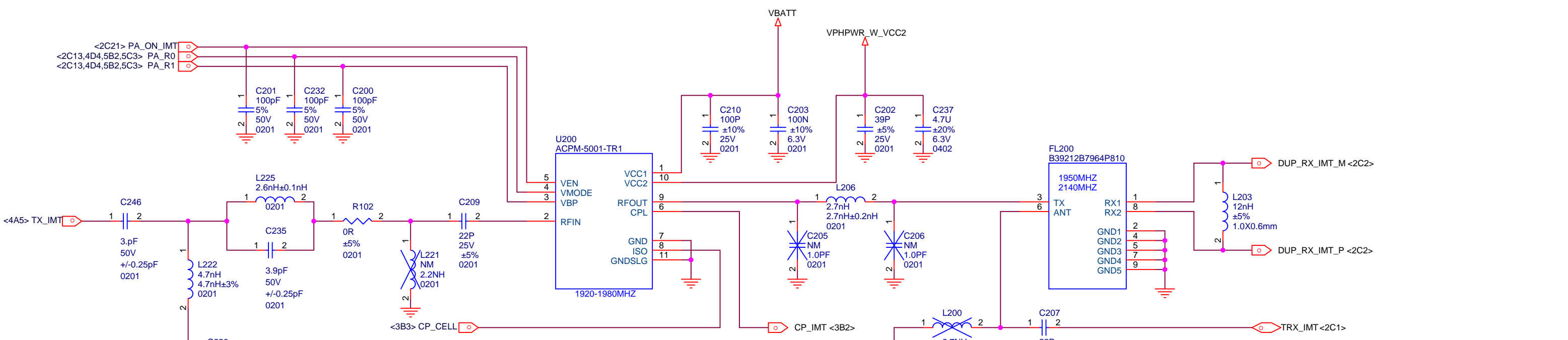


PRIMARY SWITCH(SP10T) LOGIC				
MODE	CTLA	CTLB	CTLC	CTLD
TX GSM850/GSM900	H	H	L	L
TX GSM1800/GSM1900	H	L	L	L
RX GSM 900	L	L	H	L
RX_GSM_PCS	L	H	H	L
RX GSM DCS	L	H	L	L
TRX (NOT USED)	H	L	L	H
NO USED	H	H	H	H
TRX PCS	H	L	H	H
TRX IMT	H	H	H	L
TRX W850/RX G850	H	L	H	L

PRIMARY PATH FRONT END SWITCH

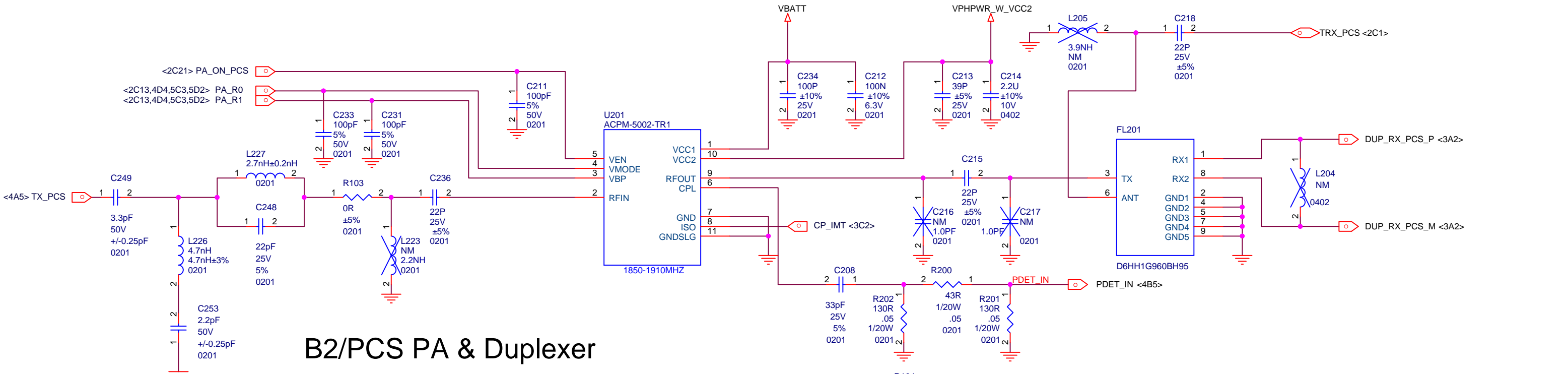
RF SWITCH

XIAO MI		
Title		
2012053		
Size	Document Number	Rev
A3	RF SWITCH	P0
Date:	Monday, July 16, 2012	Sheet 1 of 32



B1/IMT PA & Duplexer

POWER MODE	PA_ON	PA_R0	PA_R1
HIGH POWER	H	L	L
MEDIUM POWER	H	H	L
LOW POWER	H	H	H
SHUT DOWN	L	L	L

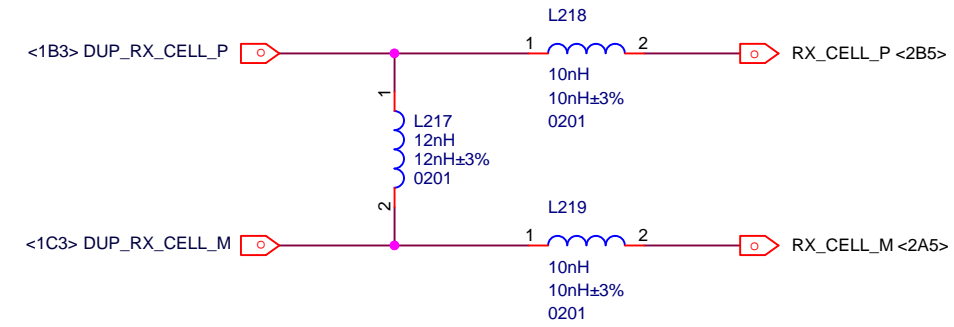
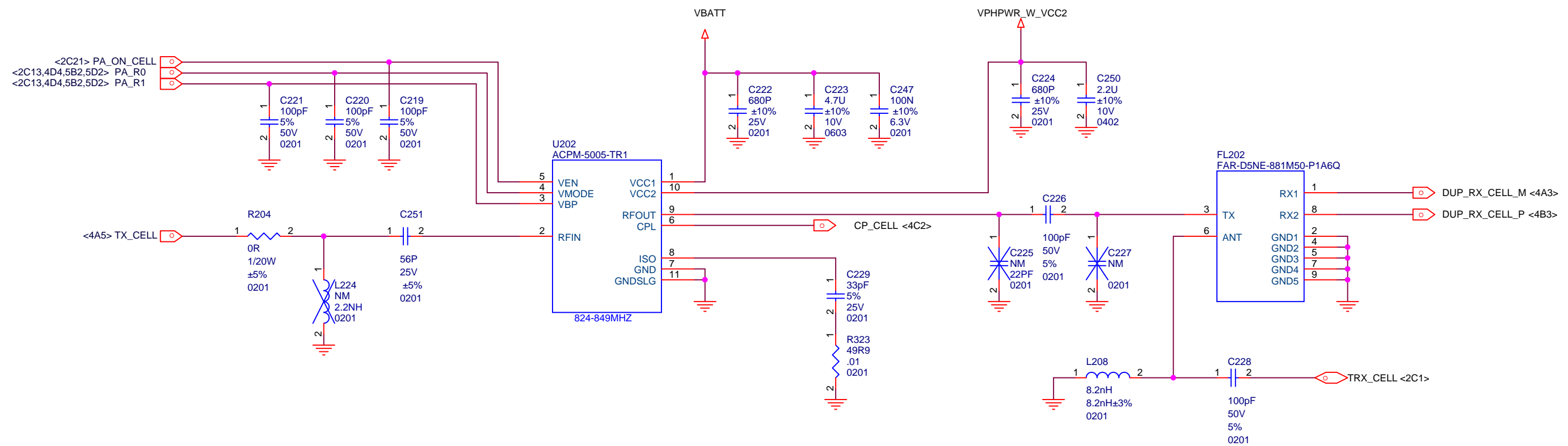
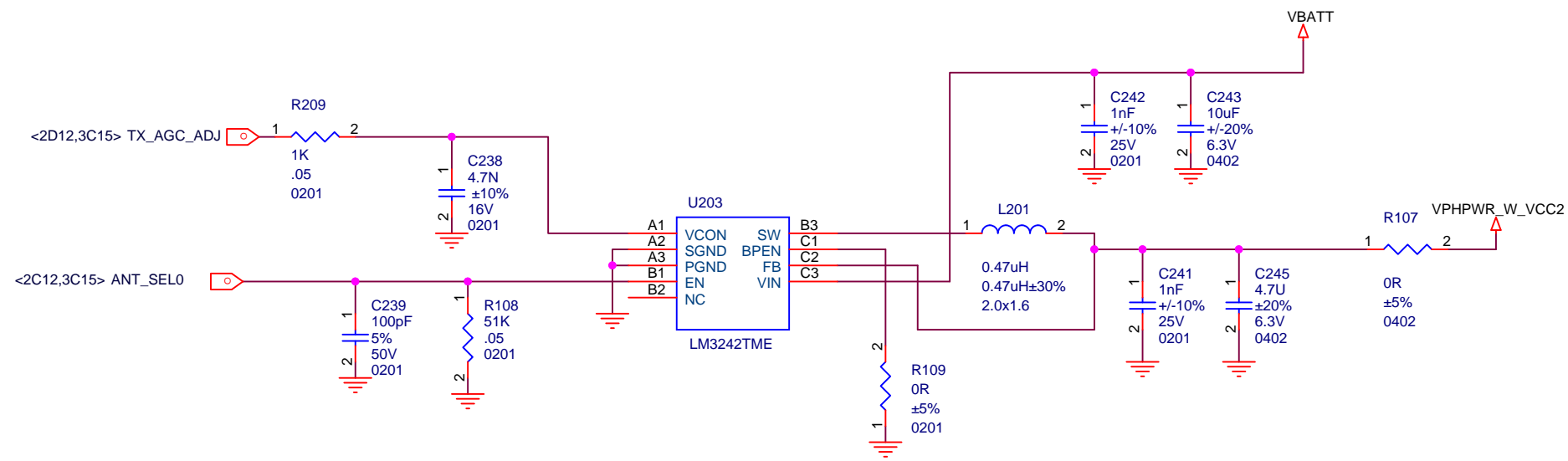


B2/PCS PA & Duplexer

POWER MODE	PA_ON	PA_R0	PA_R1
HIGH POWER	H	L	L
MEDIUM POWER	H	H	L
LOW POWER	H	H	H
SHUT DOWN	L	L	L

B2/PCS PA & Duplexer

XIAO MI		
Title 2012053		
Size A3	Document Number B2/PCS PA & Duplexer	Rev P0
Date: Monday, July 16, 2012	Sheet 2	of 32



B5/Cell PA and Duplexer

POWER MODE	PA_ON	PA_R0	PA_R1
HIGH POWER	H	L	L
MEDIUM POWER	H	H	L
LOW POWER	H	H	H
SHUT DOWN	L	L	L

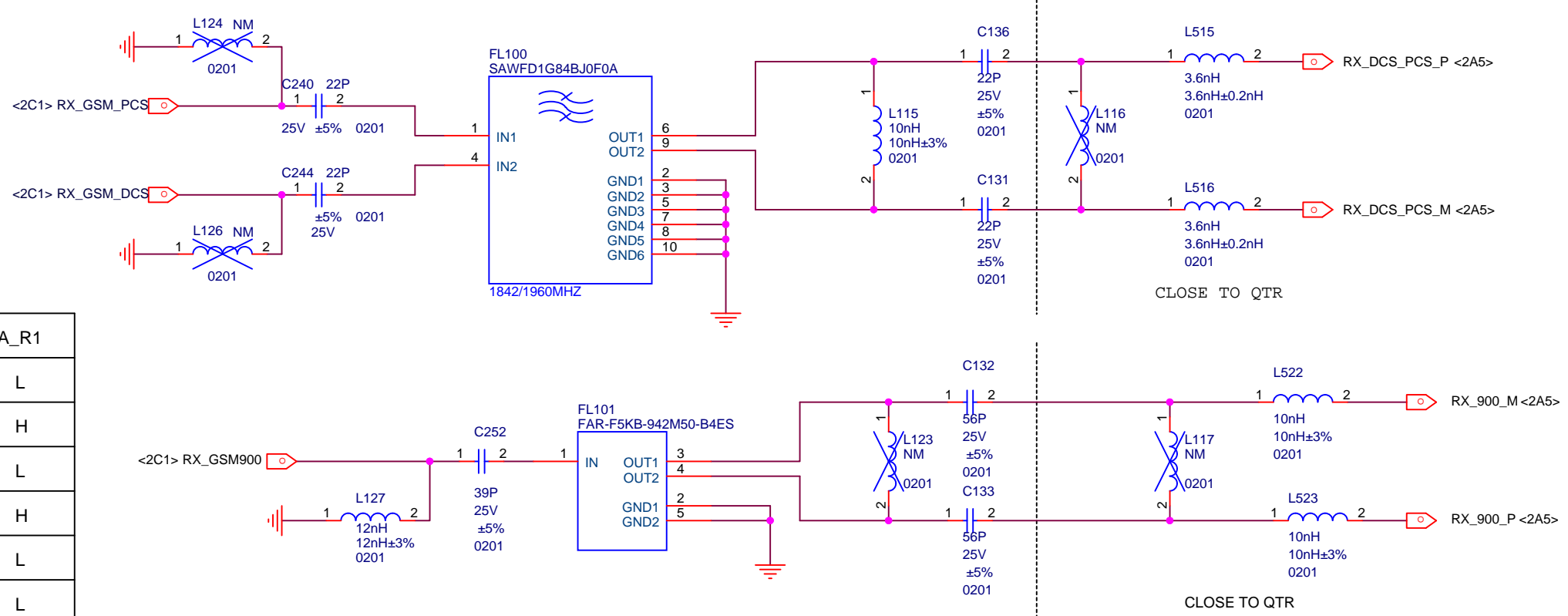
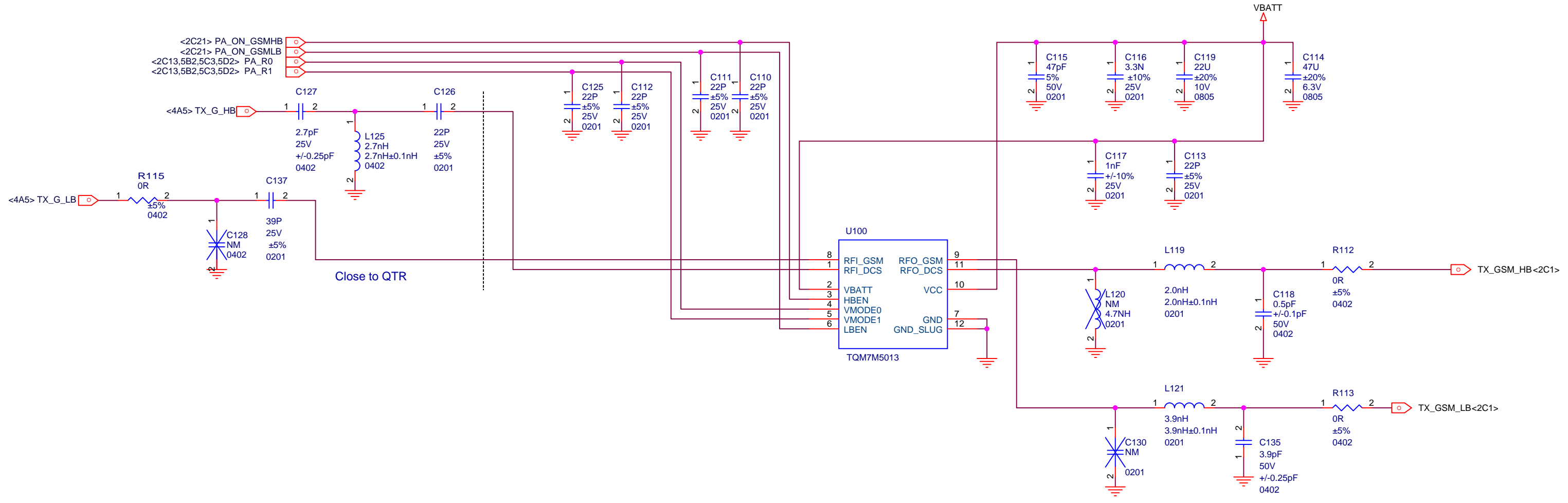
B5/Cell PA and Duplexer

XIAO MI

Title: 2012053

Size A3 Document Number B5/Cell PA and Duplexer Rev P0

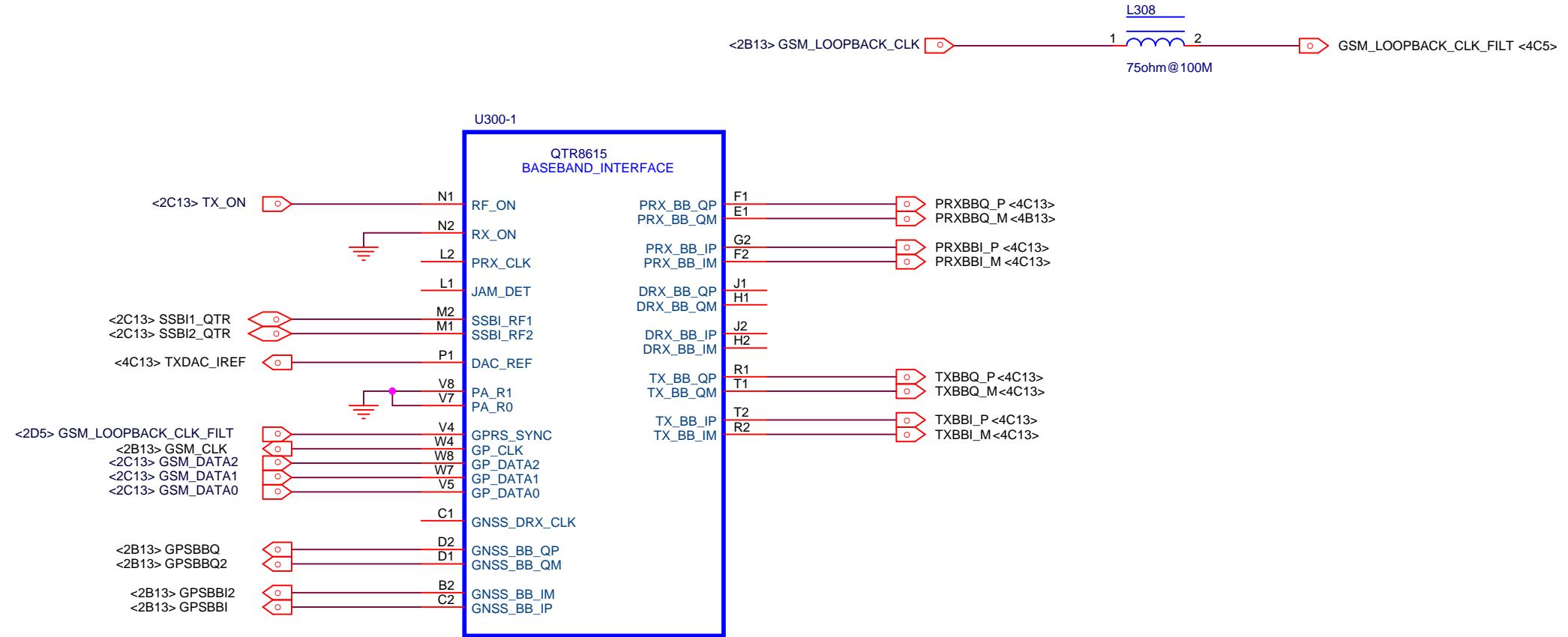
Date: Monday, July 16, 2012 Sheet 3 of 32



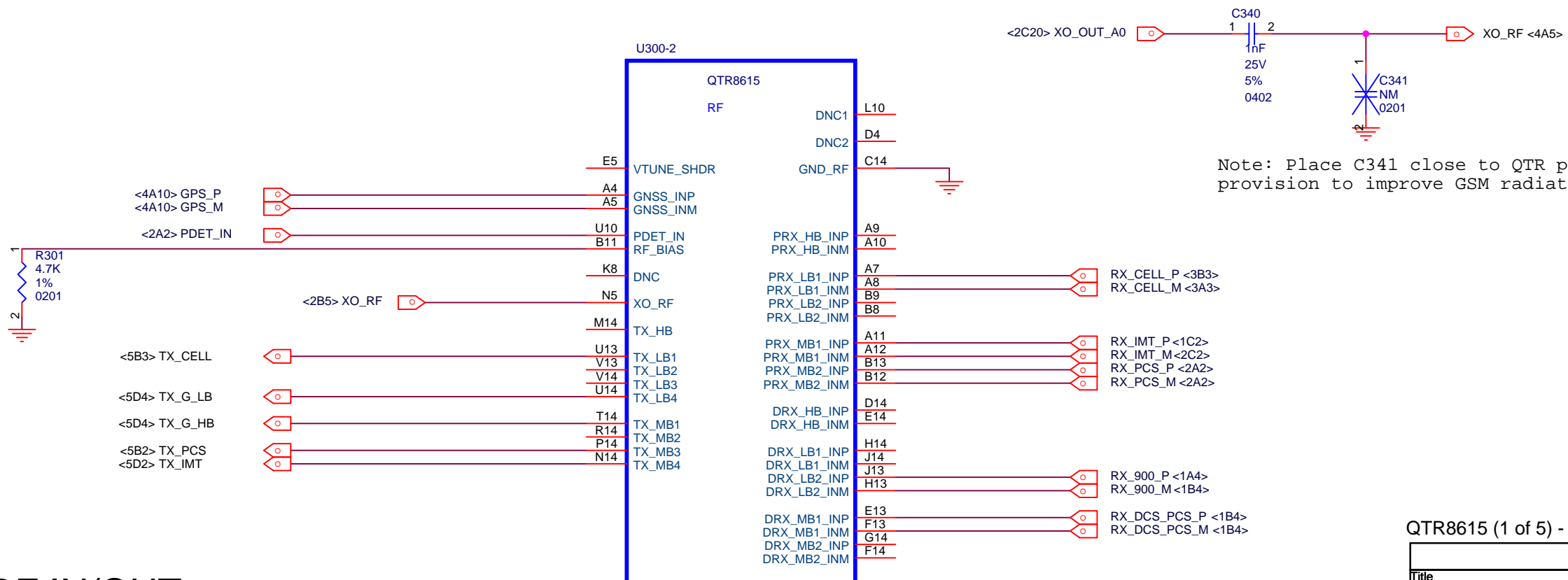
GSM QBAND LINEAR PA

POWER MODE	PAON_GSMLB	PAON_GSMHB	PA_R0	PA_R1
LB HIGH	H	L	L	L
LB MID POWER	H	L	L	H
LB LOW POWER	H	L	H	L
LB ULTRALOW POWER	H	L	H	H
HB HIGH	L	H	L	L
HB LOW POWER	L	H	H	L
HB ULTRA LOW POWER	L	H	H	H
POWER DOWN	L	L	X	X

Note: PRX_CLK and GNSS_DRX_CLK are not used; leave them unconnected.
 JAM_DET is for CDMA designs; leave it unconnected for non-CDMA designs.
 RX_ON is for LTE only; connected it to GND for non-LTE designs.



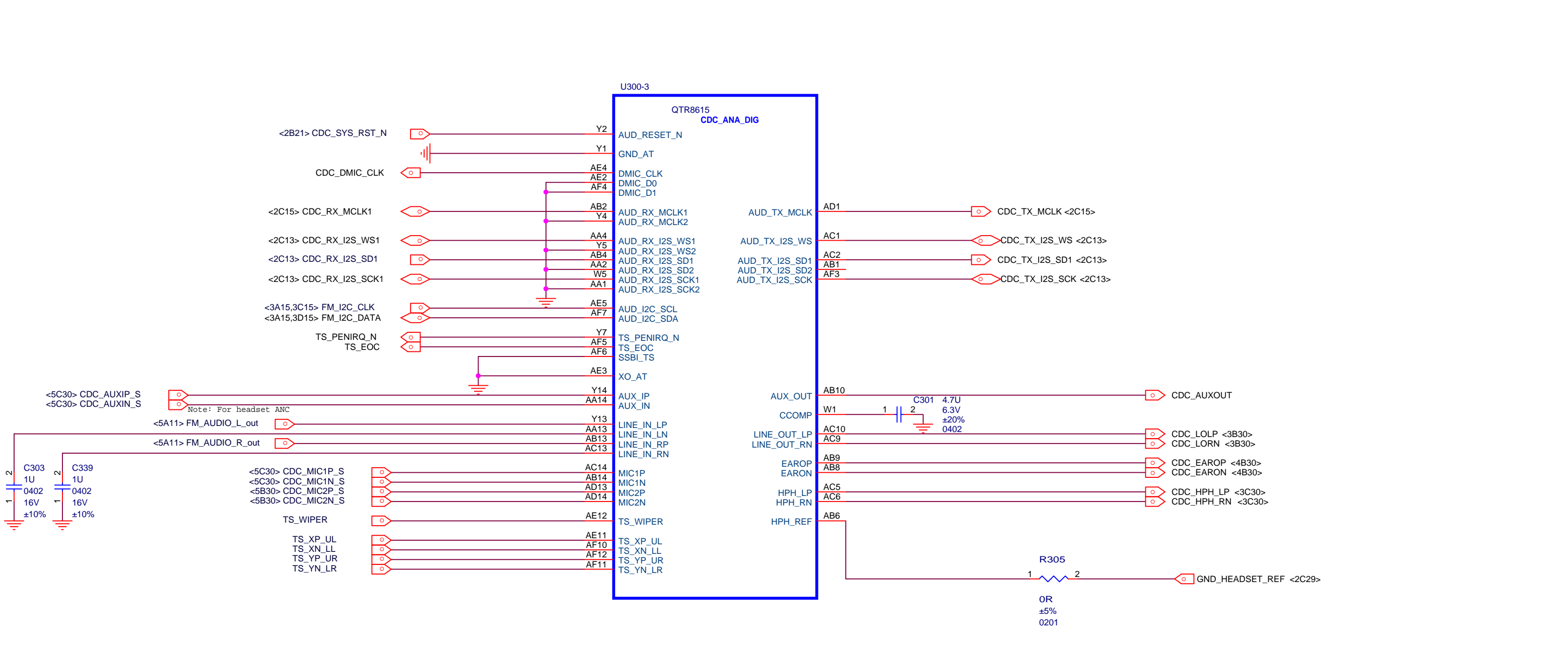
Note: VTUNE_SHDR is for CDMA SHDR only, leave it unconnected for designs not supporting SHDR.



QTR8615 RF IN/OUT

QTR8615 (1 of 5) - RF IN/OUT

XIAO MI		
Title 2012053		
Size A3	Document Number QTR8615 RF IN/OUT	Rev P0
Date: Monday, July 16, 2012	Sheet 5	of 32



Notes:
 Schematic has capless mode by default. Rev C
 For Class D HPH mode, install L613, L620, C811, C834; and DNI R712, R713.
 Class AB capacitor-coupled mode is the only mode supported in Engineering Samples1.
 In Engineering Samples2, all HPH modes are supported: Class AB (capless and capacitor-coupled) and Class D capacitor-coupled.

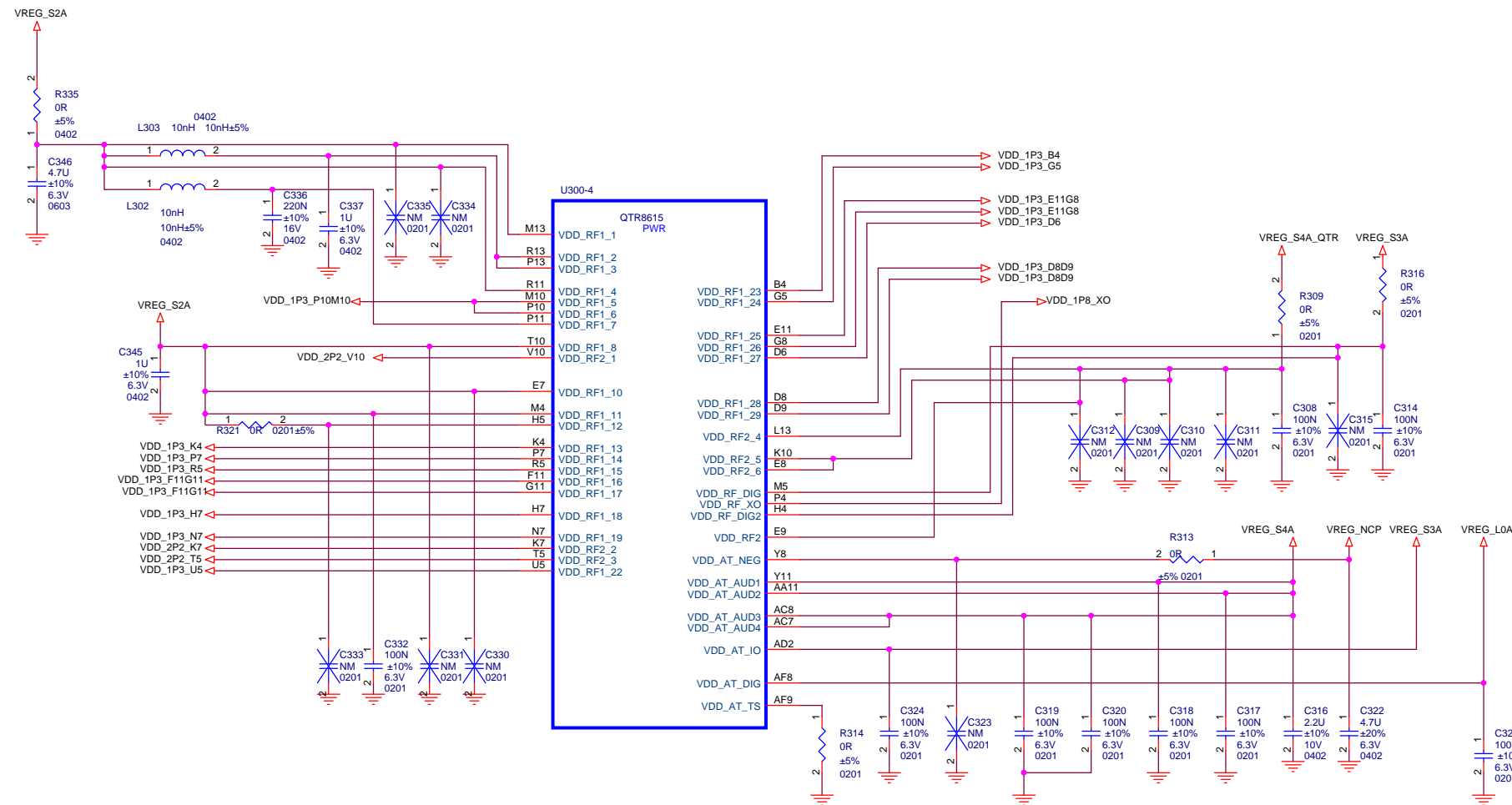
QTR8615 CODEC IN/OUT

QTR8615 (2 of 5) - CODEC IN/OUT

XIAO MI		
Title 2012053		
Size A3	Document Number QTR8615 CODEC IN/OUT	Rev P0
Date: Monday, July 16, 2012	Sheet 6	of 32

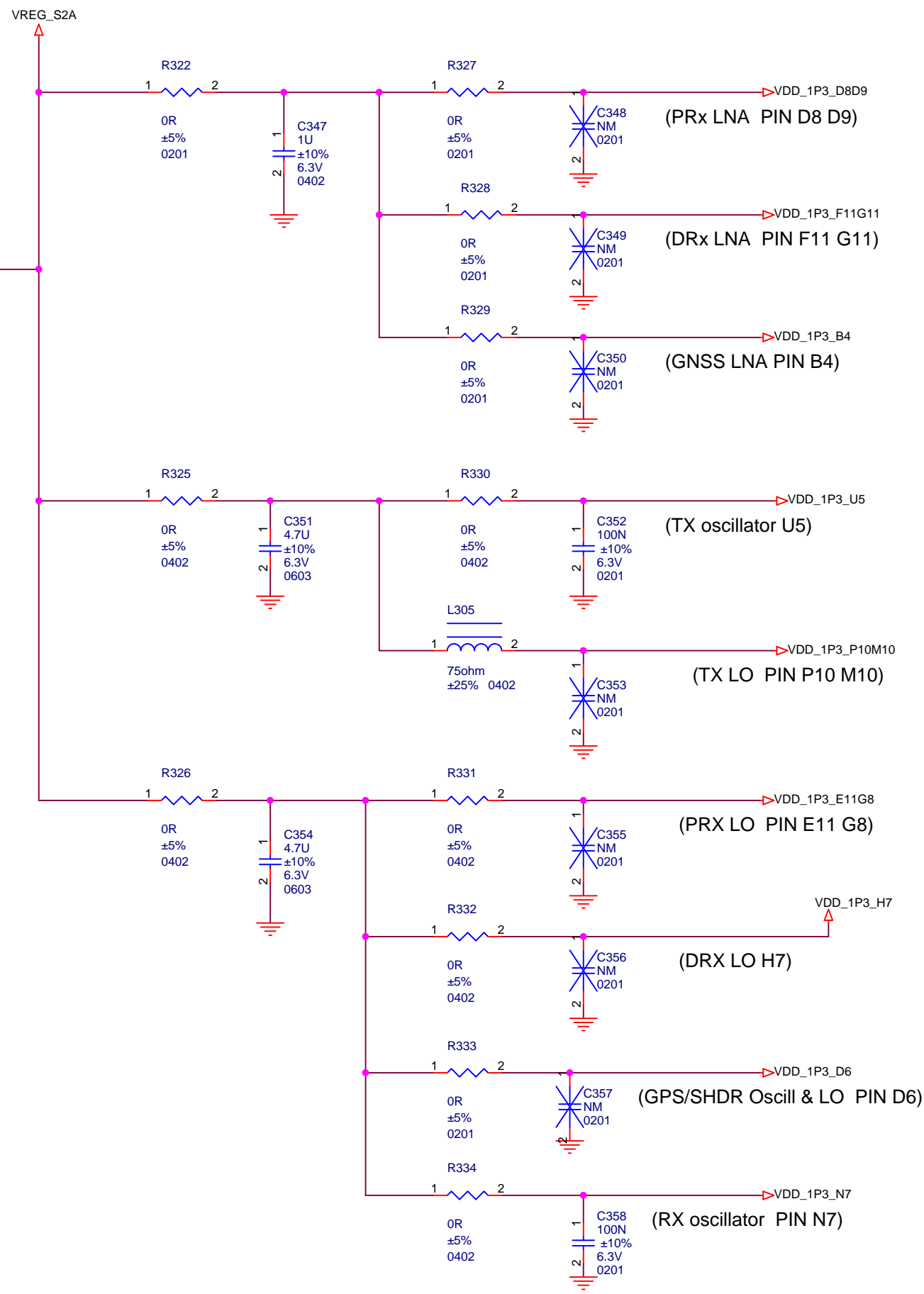
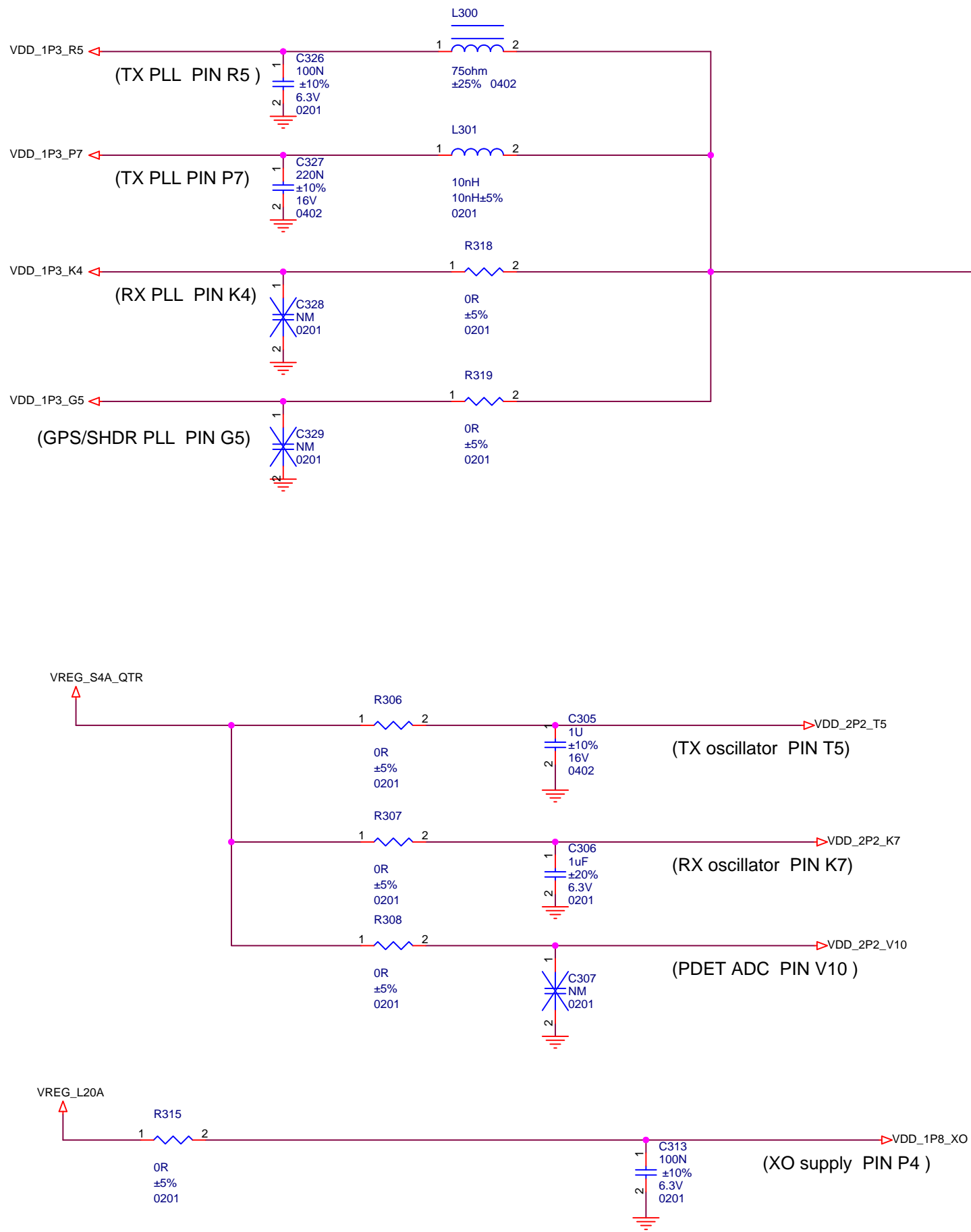
QTR8615 POWER GRID

(PRX BB Mode control PIN E7)
 (PDET ADC PIN T10)
 (Rx/Tx/SBI Digital PIN M4)
 (SHDR/GPS Digital PIN H5)
 (Pre Driver Amplifier PIN R11)
 (Pre Driver Amplifier PIN M13)
 (TX Mixer PIN P11)
 (Driver Amplifier PIN P13)



(DRx BB filter PIN K10)
 (PRx BB filter PIN E8)
 (TX BB filter PIN L13)
 (Analog Master Bias PIN E9)
 (DIG IO PIN M5)
 (GNSS DIG IO PIN H4)

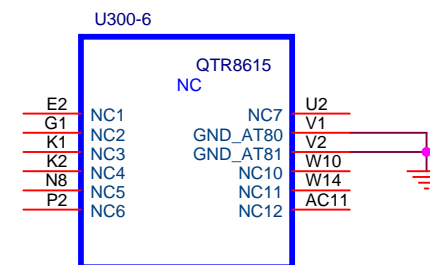
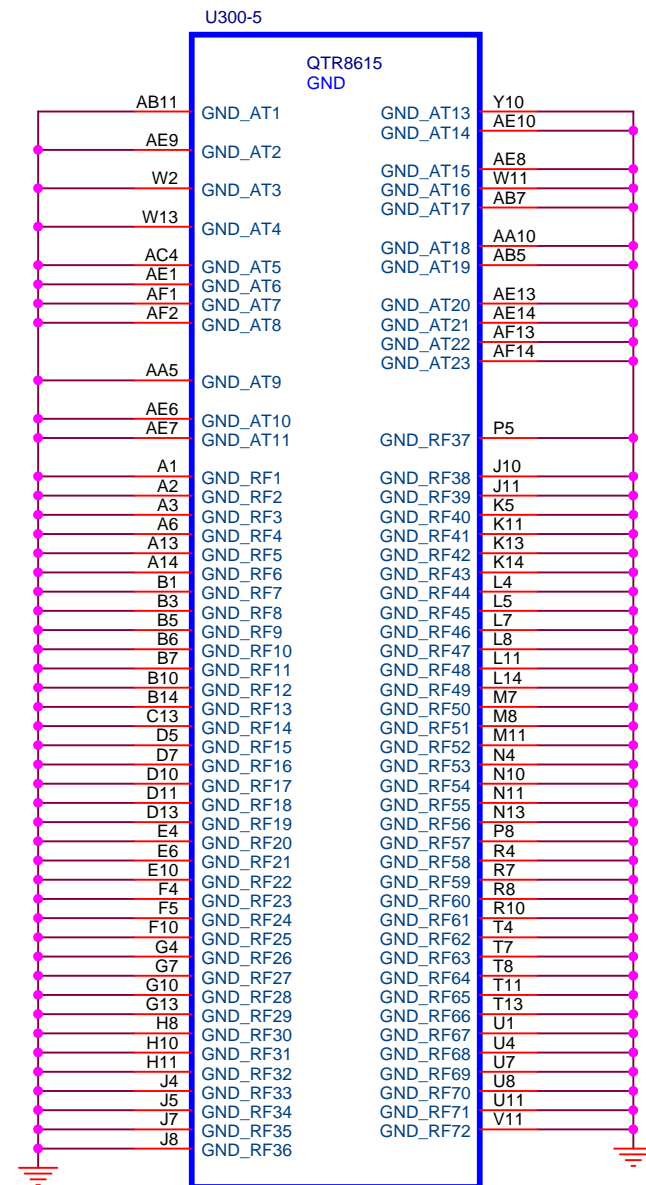
Note:
 -Schematic has capless mode by default.
 -For Class D and Class AB cap coupled mode:
 DNI C1590, and R1599; and change C1640 to 0 ohm to tie QTR VDD_AT_NEG pin to ground.



QTR8615 (4 of 5) - POWER DECOUPLE

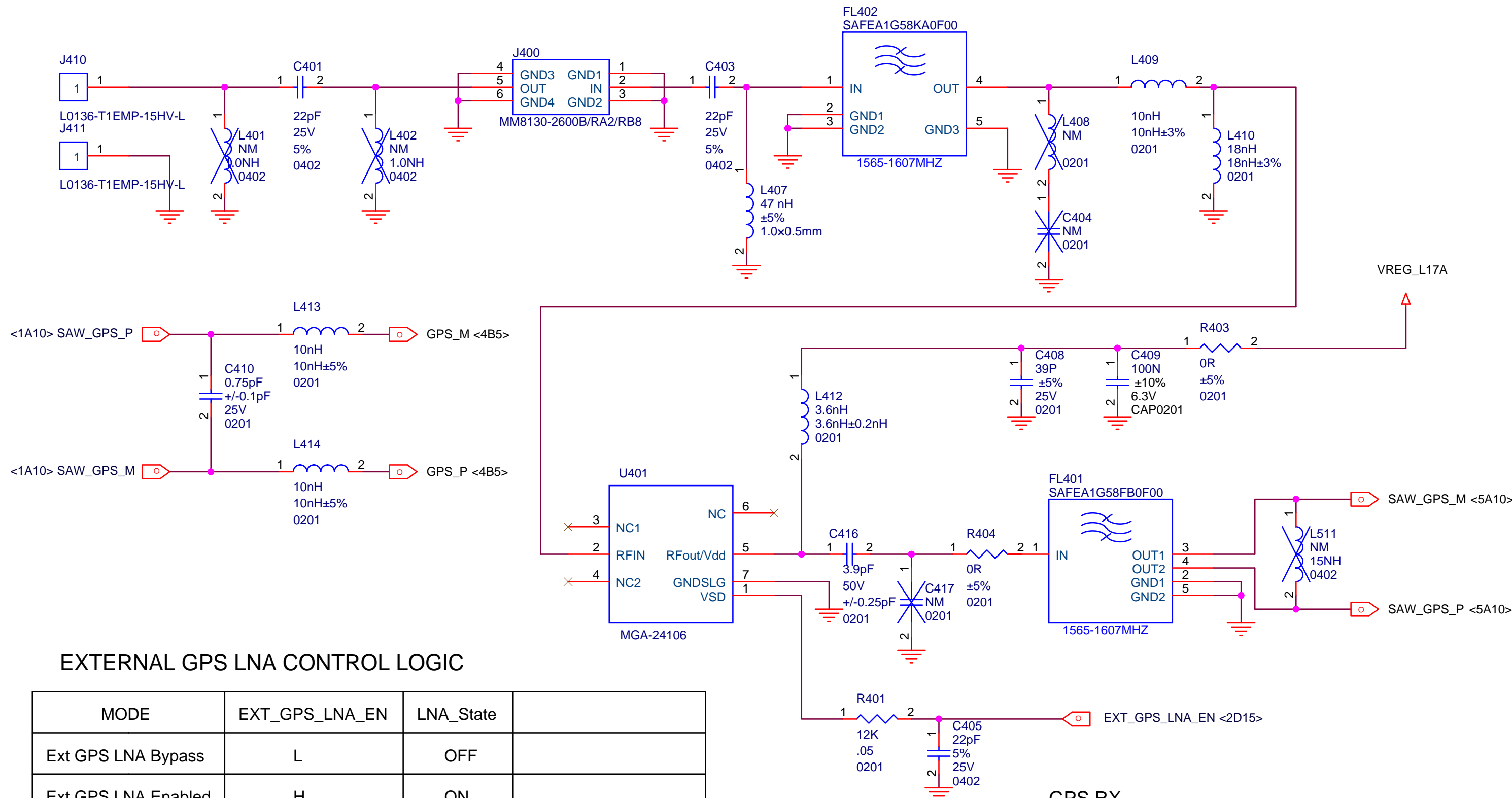
XIAO MI		
Title 2012053		
Size A3	Document Number QTR8615 POWER DECOUPLE	Rev P0
Date: Monday, July 16, 2012	Sheet 8	of 32

QTR8615 GND



QTR8615 (5 of 5) - GND

XIAO MI		
Title		
2012053		
Size	Document Number	Rev
A3	QTR8615 GND	P0
Date:	Monday, July 16, 2012	Sheet 9 of 32



EXTERNAL GPS LNA CONTROL LOGIC

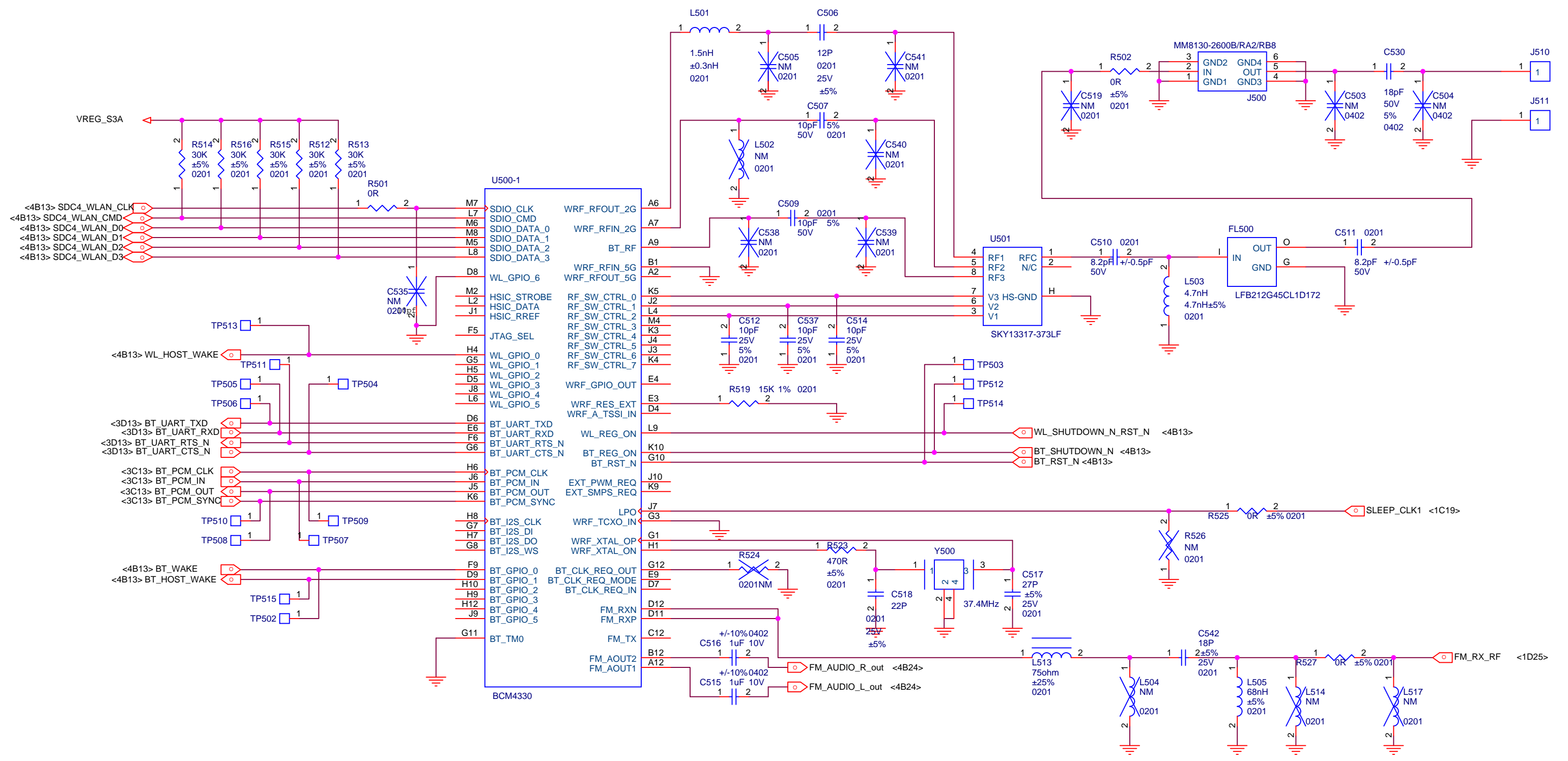
MODE	EXT_GPS_LNA_EN	LNA_State	
Ext GPS LNA Bypass	L	OFF	
Ext GPS LNA Enabled	H	ON	

GPS RX

GPS RX

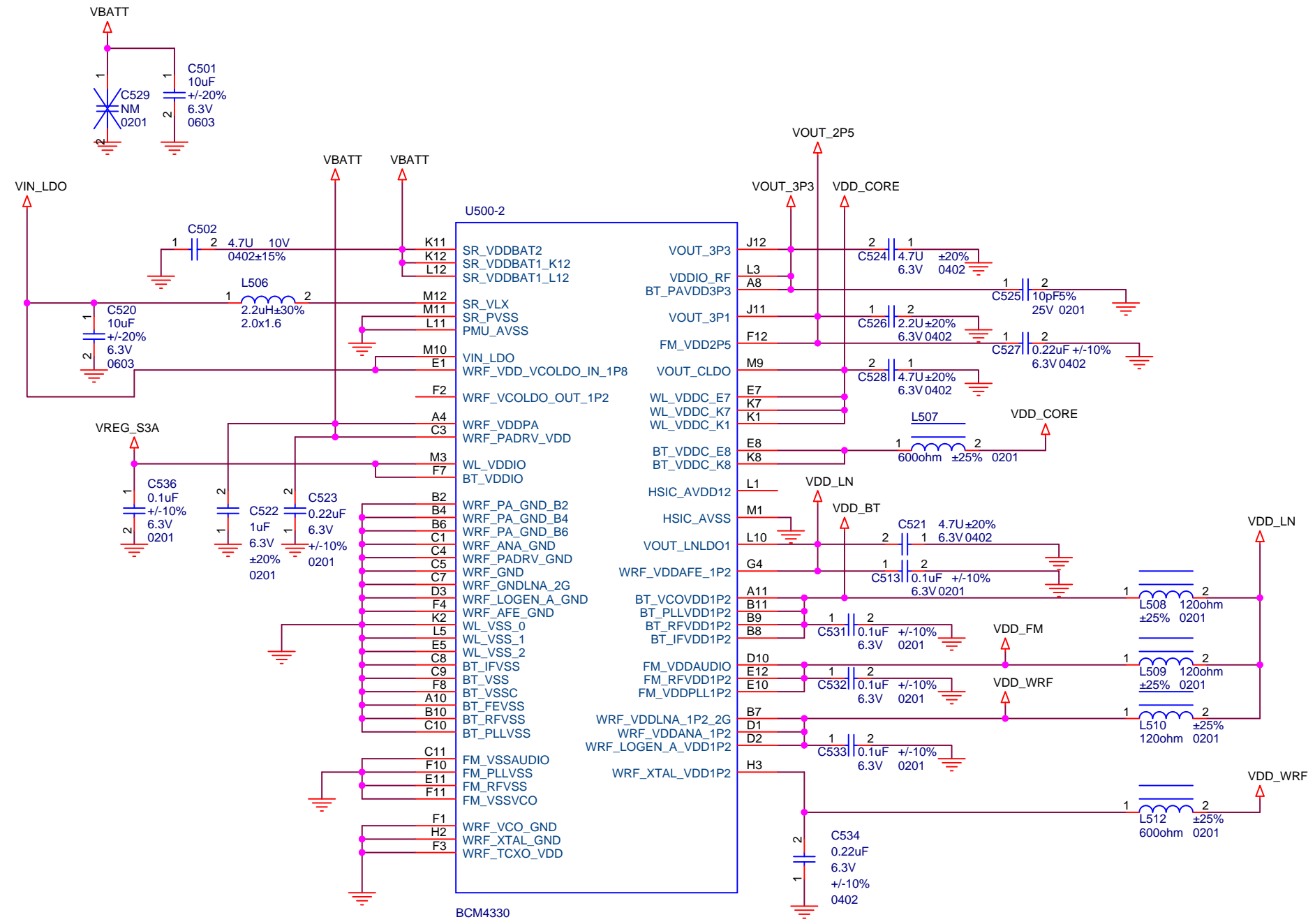
XIAO MI

Title		2012053
Size	Document Number	GPS RX
A4	Rev	P0
Date:	Monday, July 16, 2012	Sheet 10 of 32



BT/WIFI

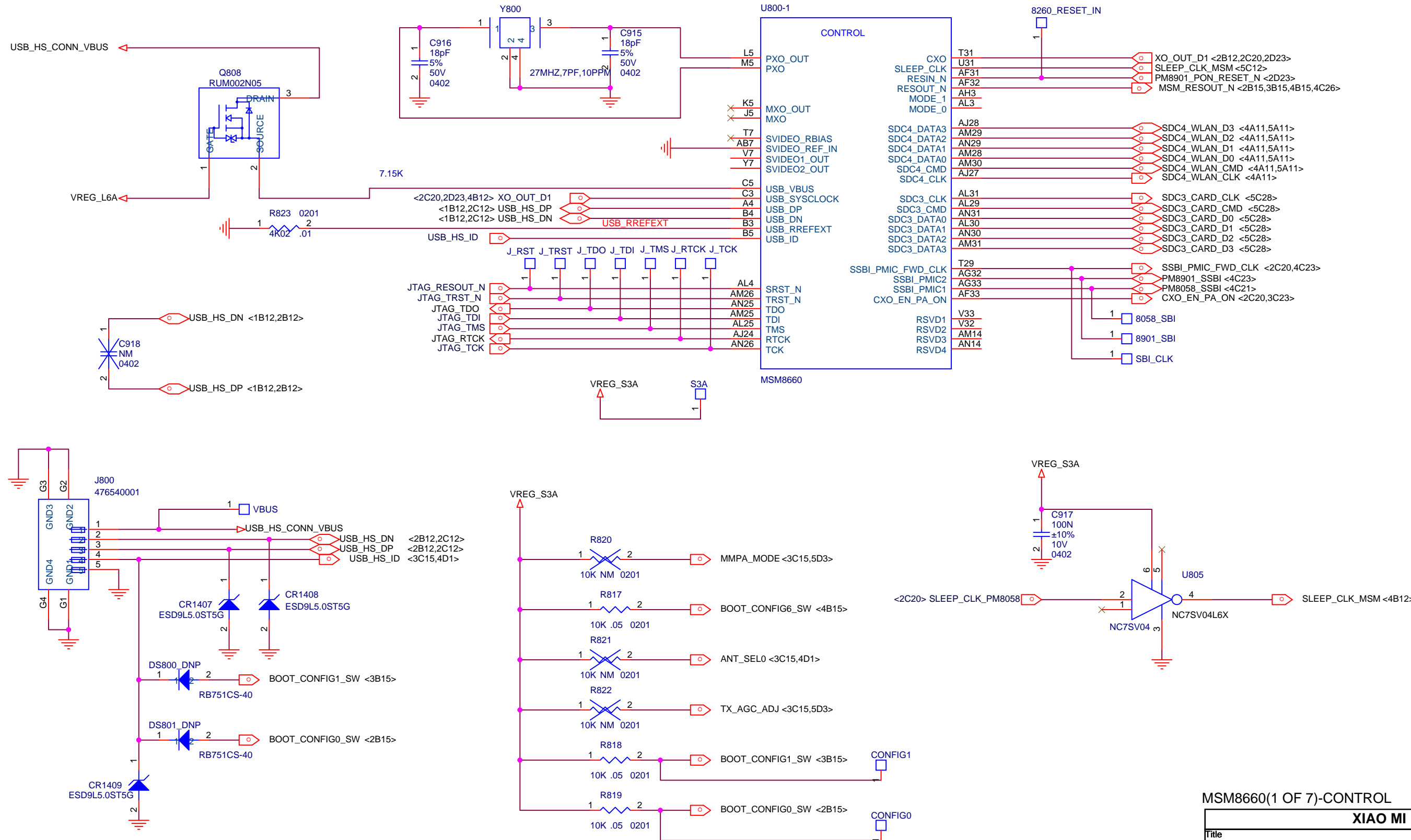
XIAO MI		
Title	2012053	
Size	Document Number	Rev
A3	BT/WIFI	
Date:	Monday, July 16, 2012	Sheet 11 of 32



BT/WIFI

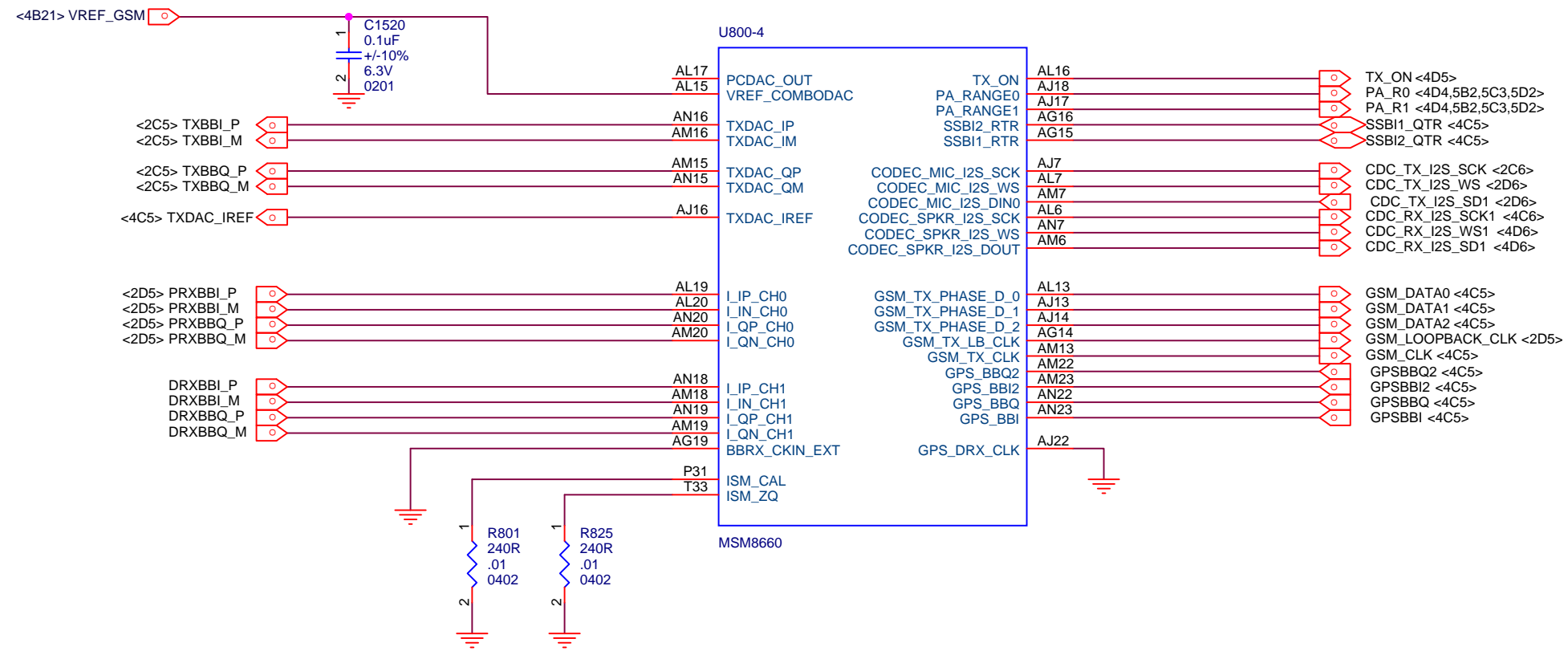
XIAO MI		
Title		
2012053		
Size	Document Number	Rev
A3	BT/FM/WLAN	P0
Date:	Monday, July 16, 2012	Sheet 12 of 32

MSM: CONTROL



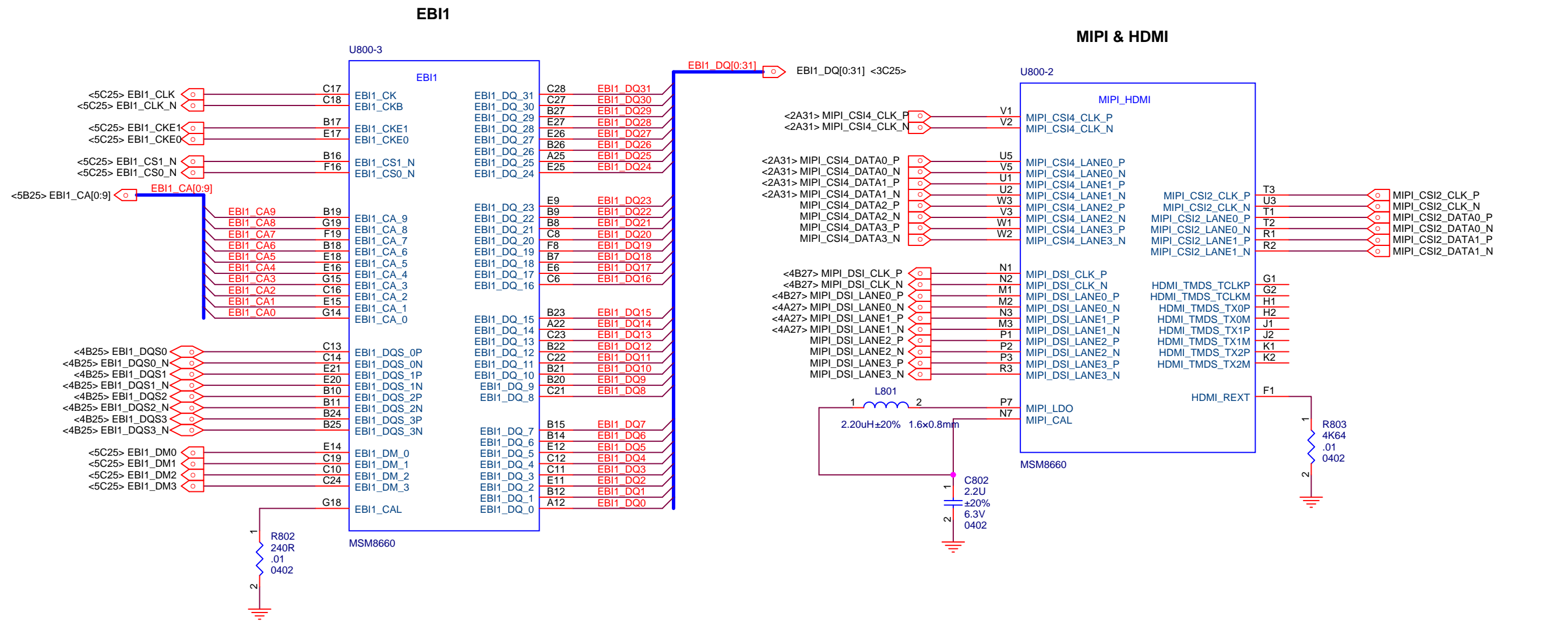
MSM8660(1 OF 7)-CONTROL		
XIAO MI		
Title 2012053		
Size A3	Document Number MSM8660(1 OF 7)-CONTROL	Rev P0
Date: Monday, July 16, 2012	Sheet 13	of 32

MSM: RF INTERFACE



MSM8660(2 OF 7)-QTR8615 CODEC

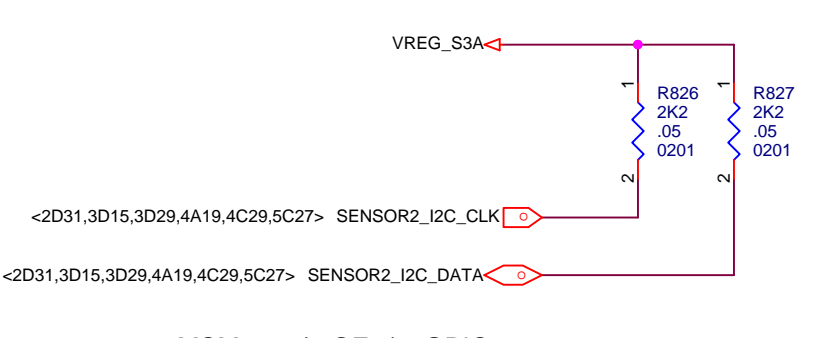
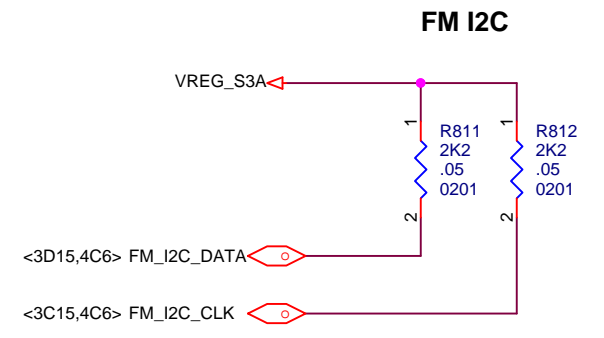
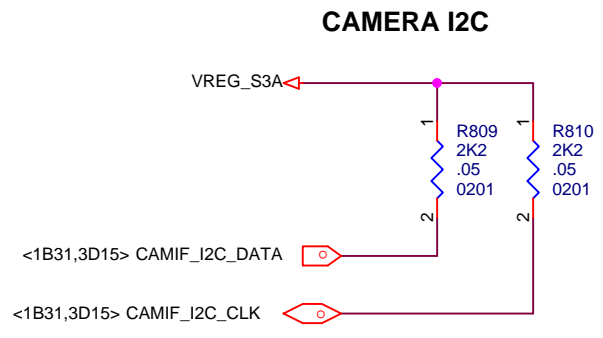
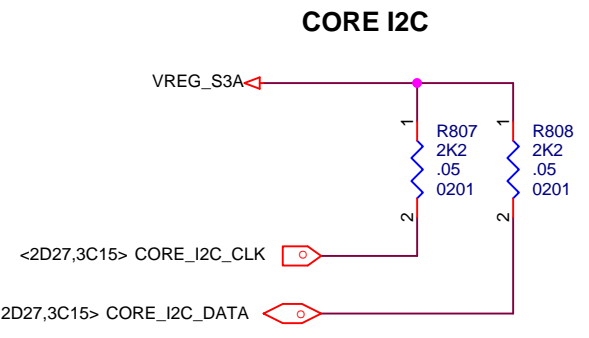
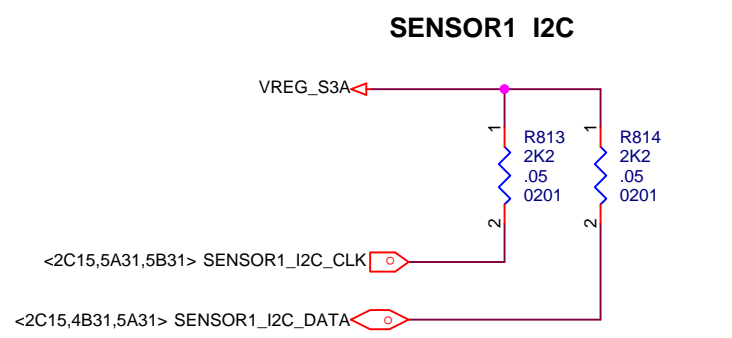
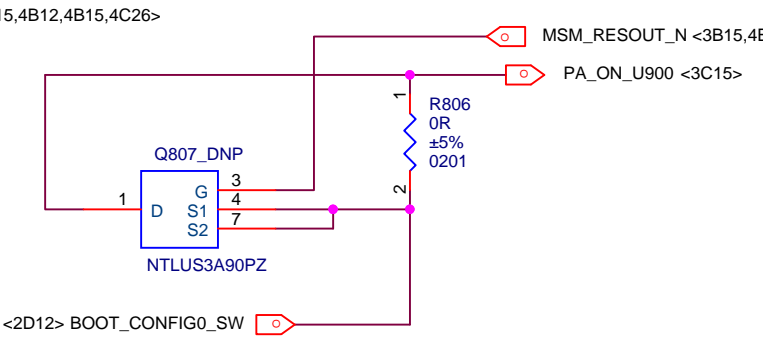
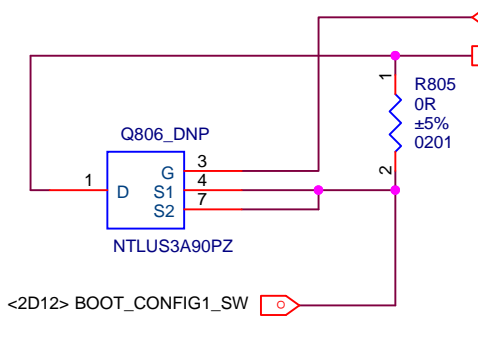
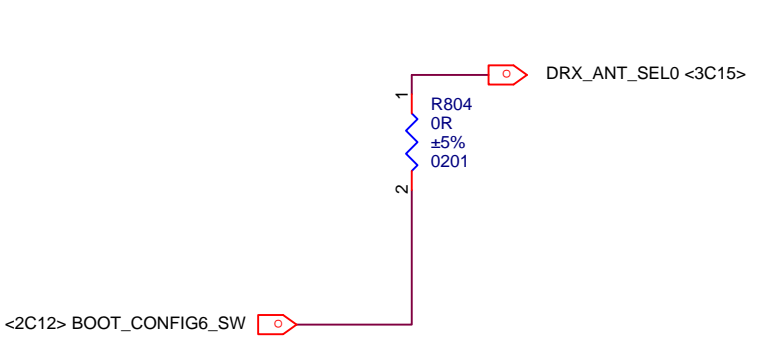
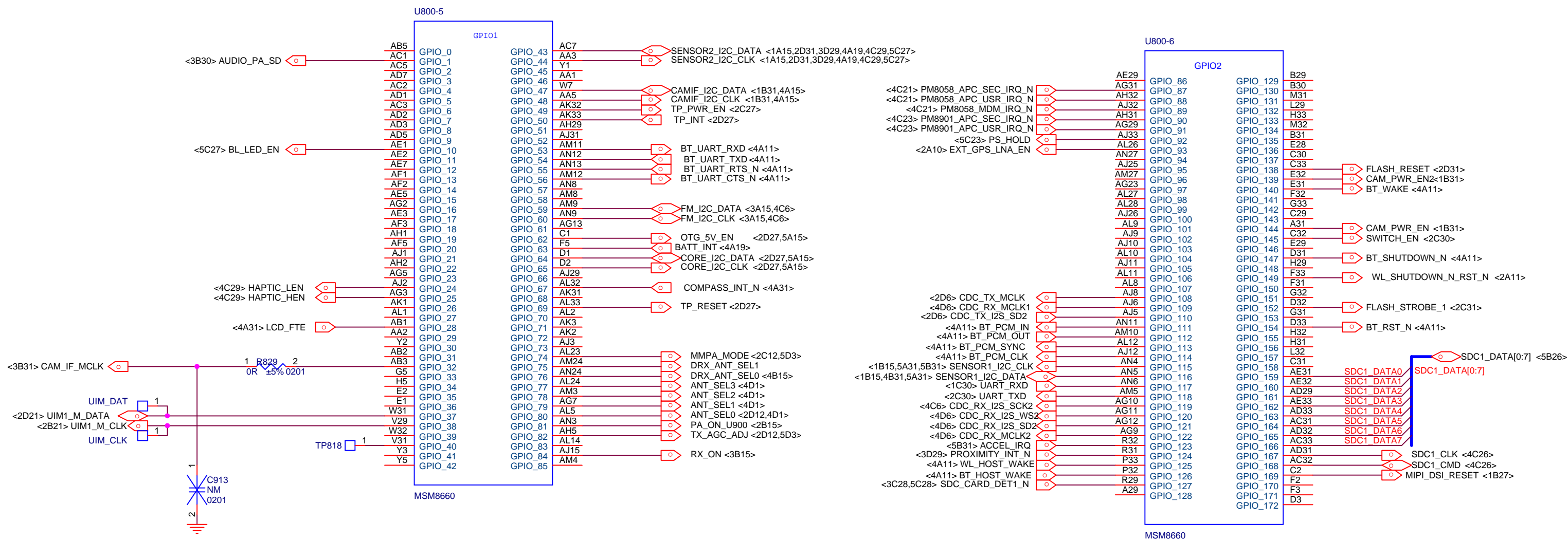
XIAO MI		
Title		
2012053		
Size	Document Number	Rev
A3	MSM8660(2 OF 7)-QTR8615 CODEC	P0
Date:	Monday, July 16, 2012	Sheet 14 of 32

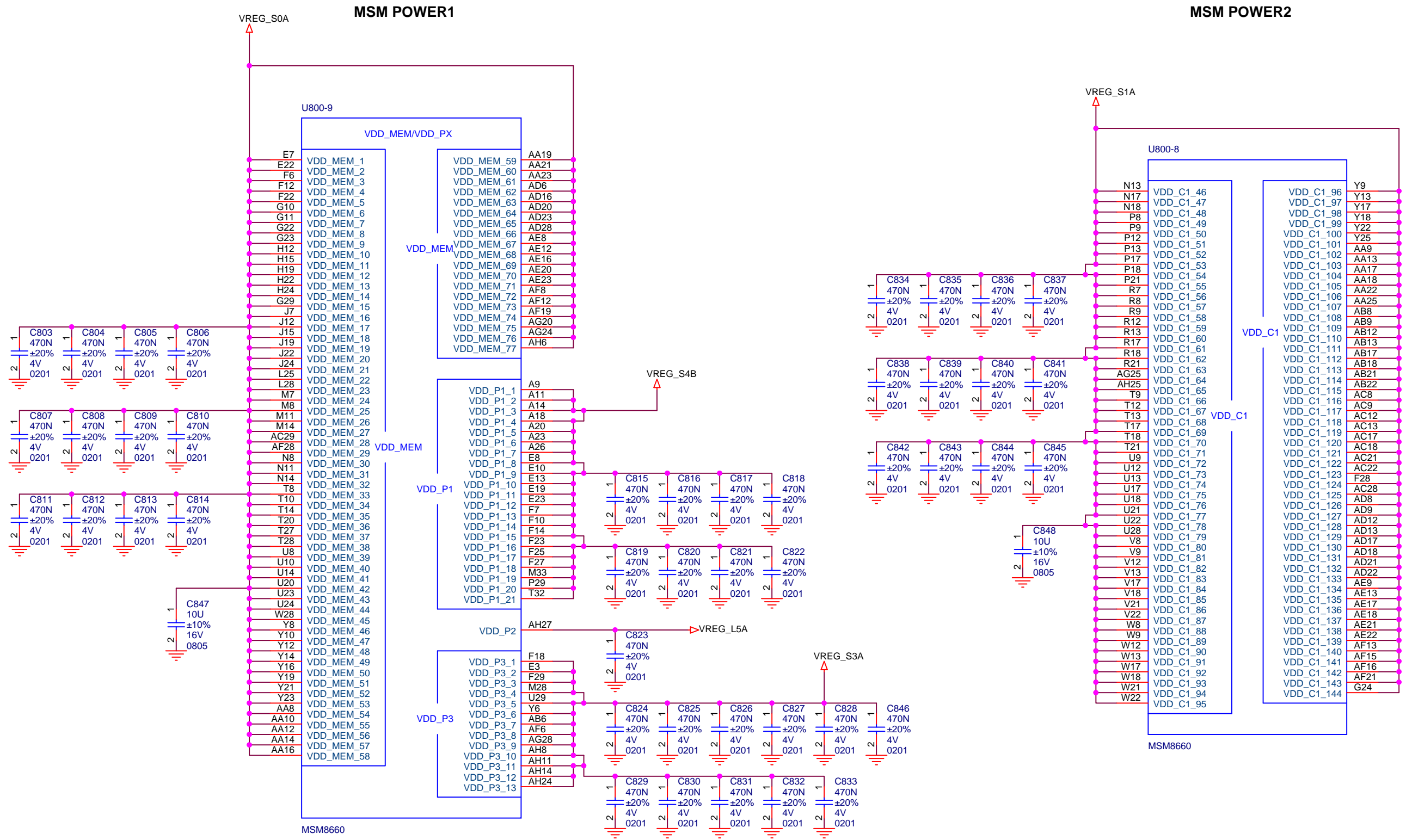


MSM8660(3 OF 7)-EBI1 & HS SERIES

XIAO MI		
Title		
2012053		
Size	Document Number	Rev
A3	MSM8660(3 OF 7)-EBI1 & HS SERIES	P0
Date:	Monday, July 16, 2012	Sheet 15 of 32

GPIO

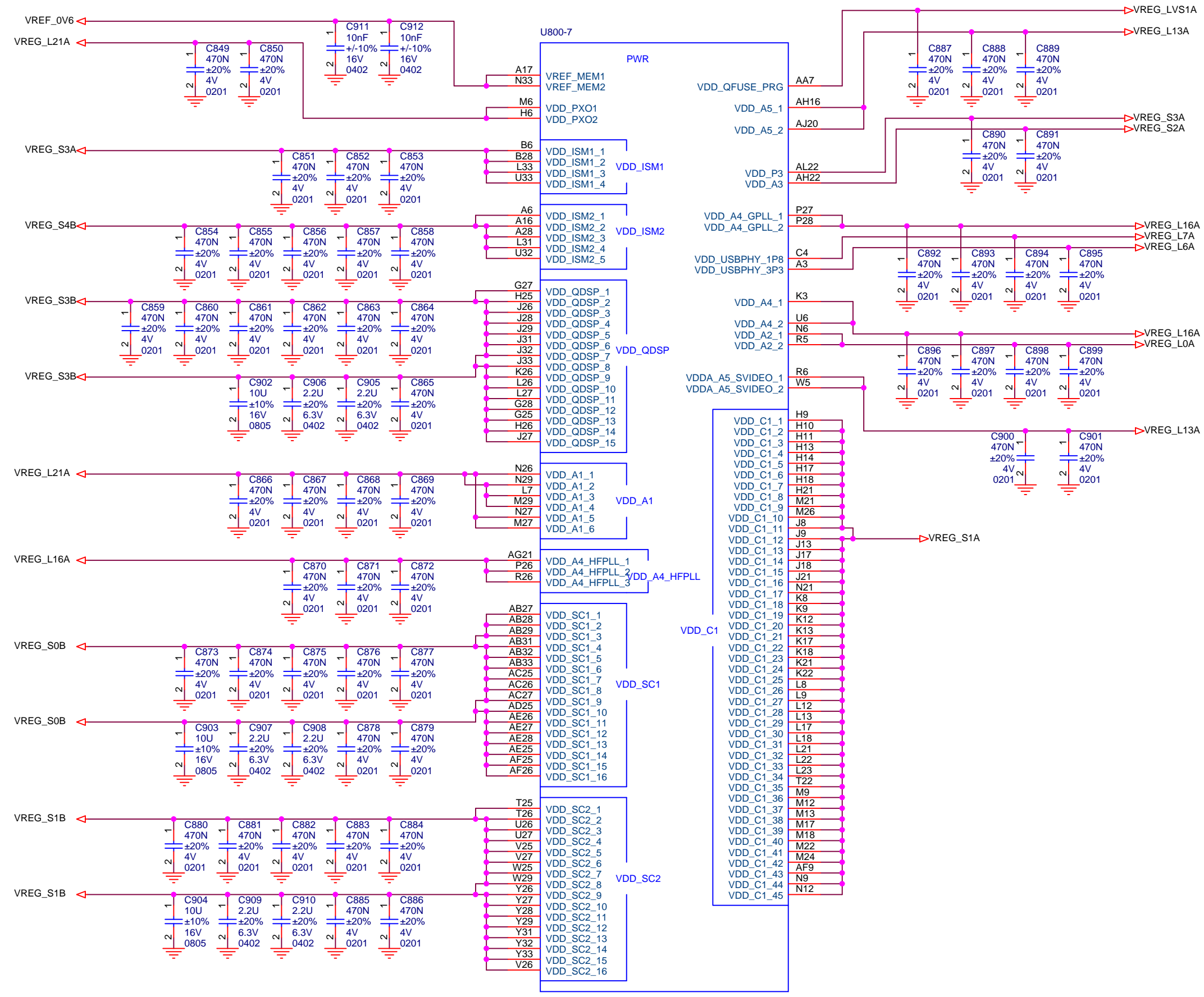




MSM8660(5 OF 7) - POWER1,2

XIAO MI		
Title		
2012053		
Size	Document Number	Rev
A3	MSM8660(5 OF 7) - POWER1,2	P0
Date:	Monday, July 16, 2012	Sheet 17 of 32

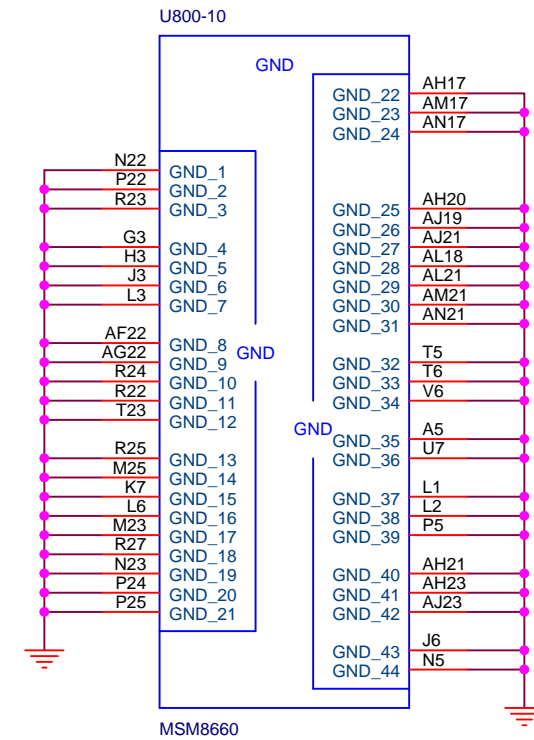
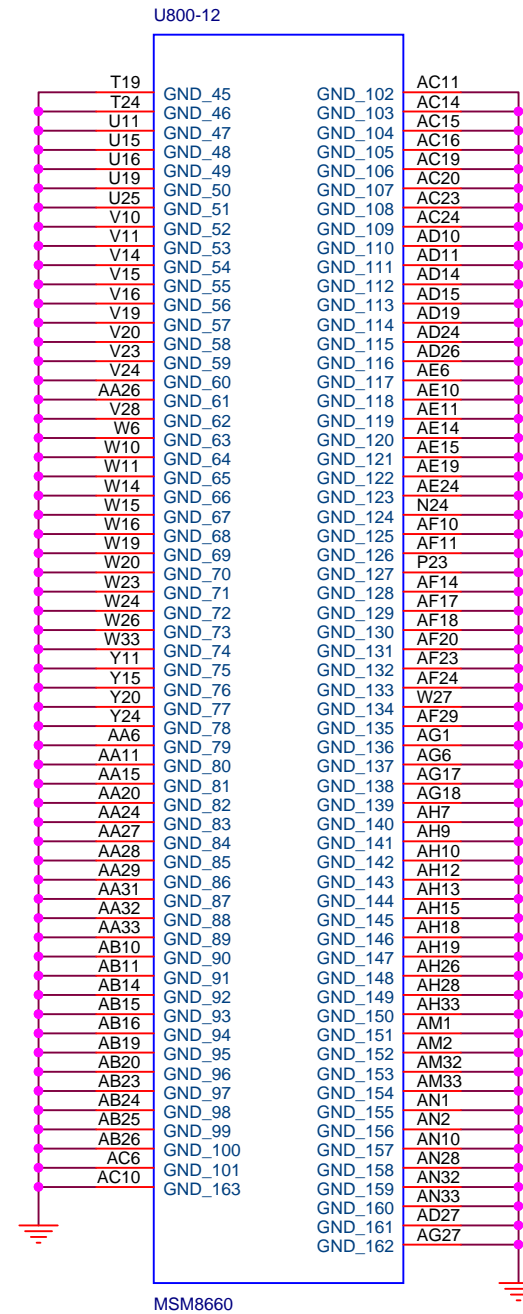
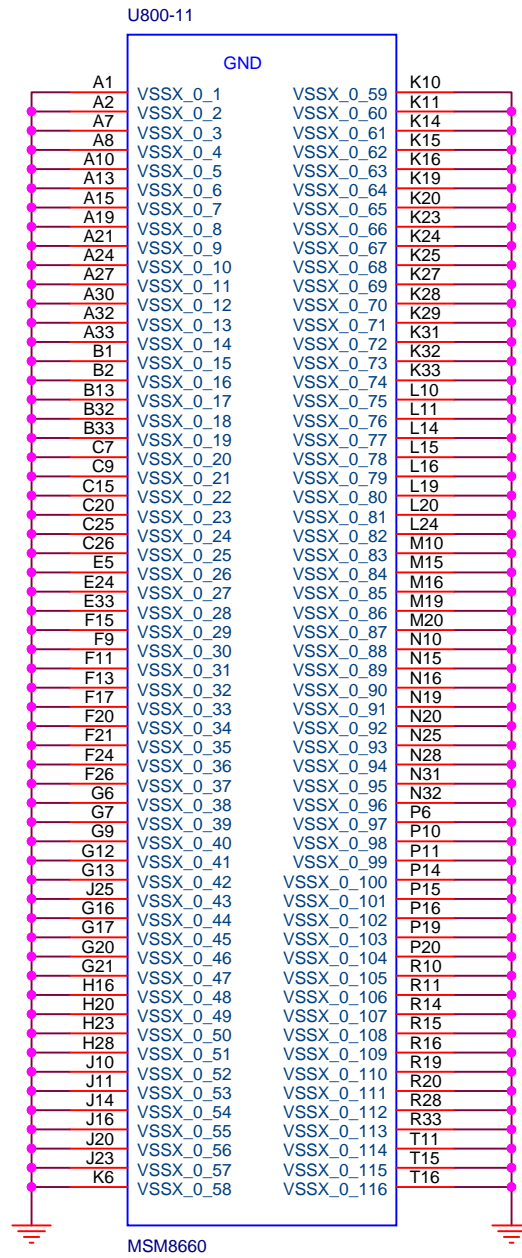
MSM POWER3



MSM8660(6 OF 7) - POWER3

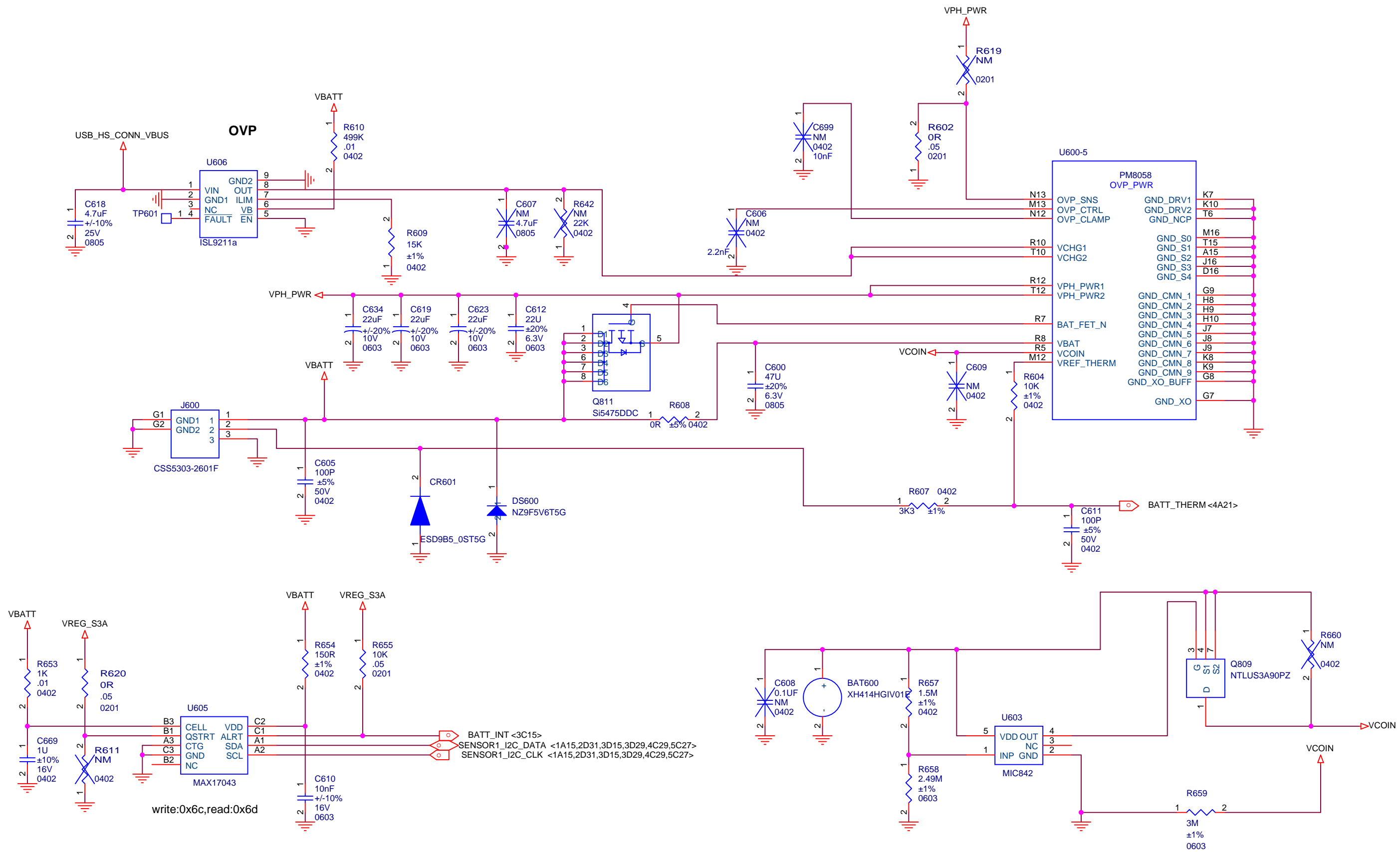
XIAO MI		
Title 2012053		
Size A3	Document Number MSM8660(6 OF 7) - POWER3	Rev P0
Date: Monday, July 16, 2012	Sheet 18	of 32

MSM GROUND



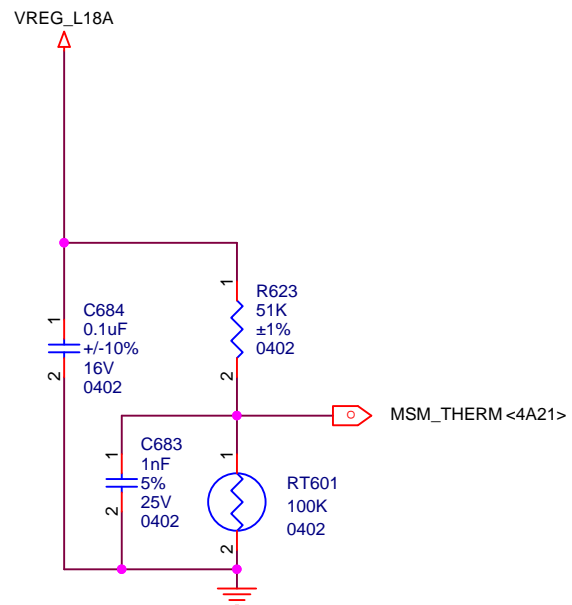
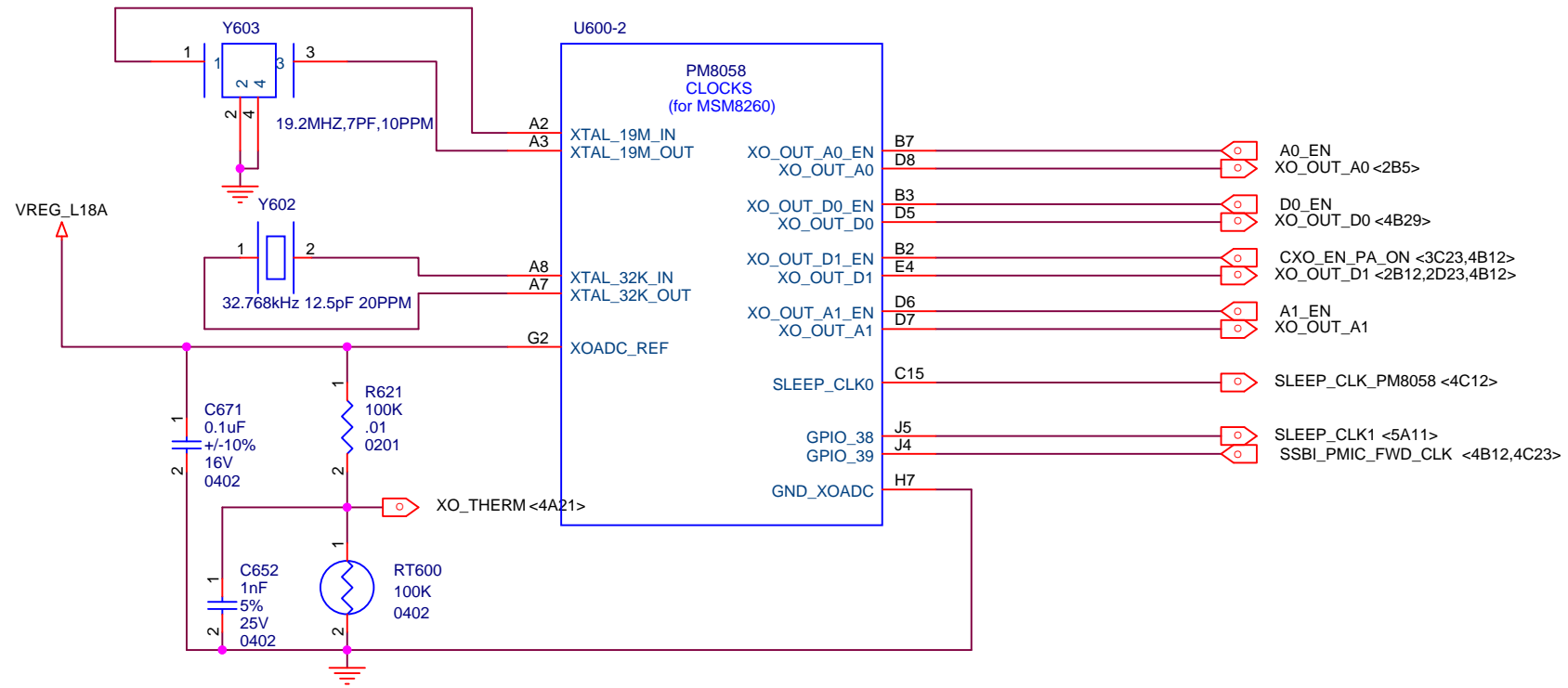
MSM8660(7 OF 7) - GND

XIAO MI		
Title		
2012053		
Size	Document Number	Rev
A3	MSM8660(7 OF 7) - GND	P0
Date:	Monday, July 16, 2012	Sheet 19 of 32



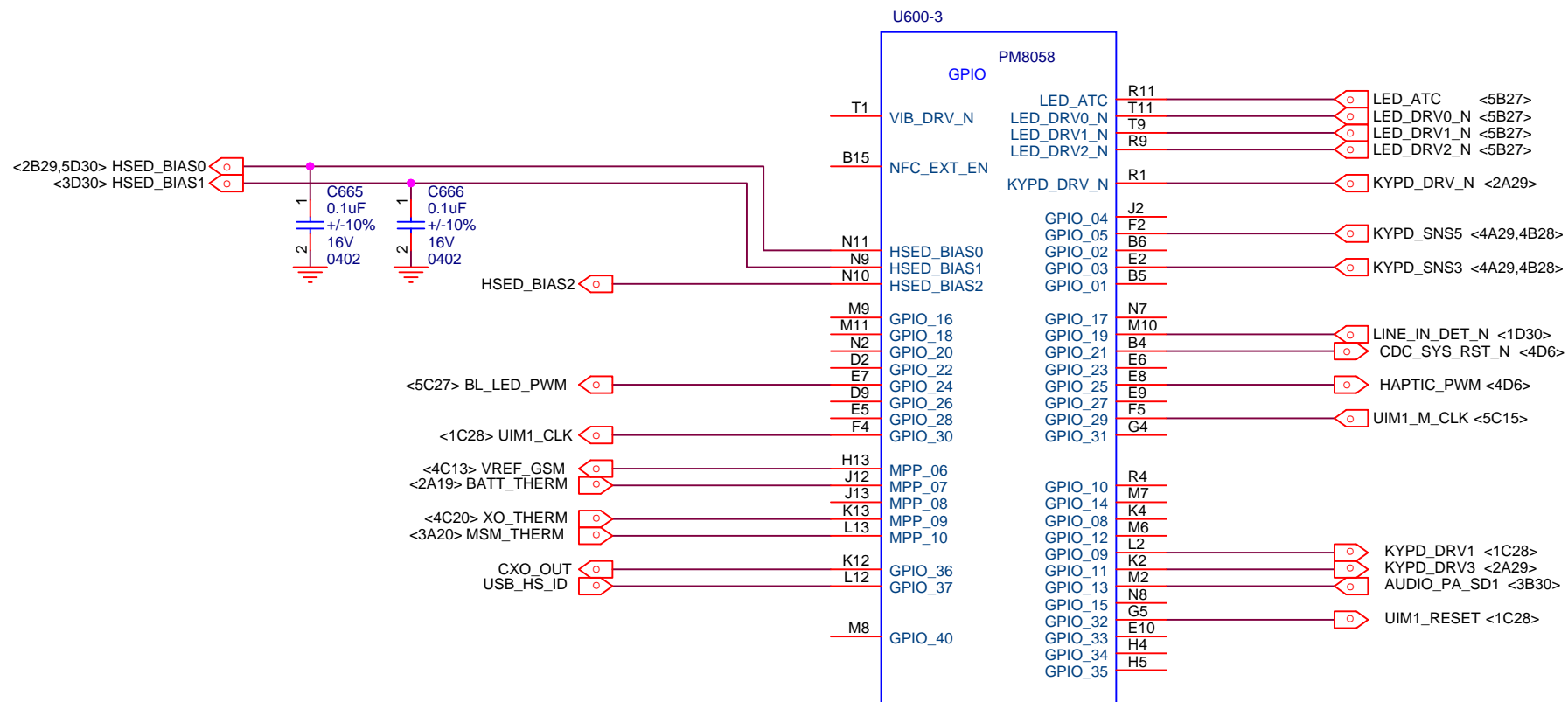
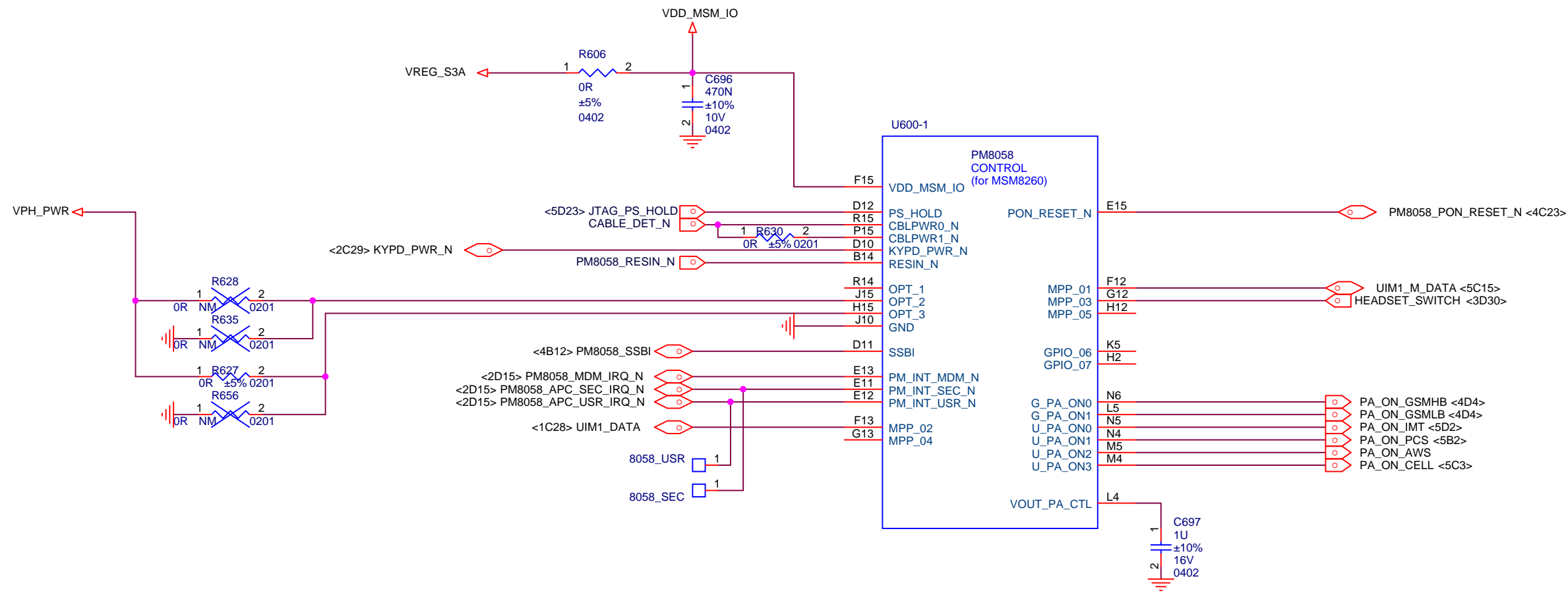
PM8058 (1 OF 4) - OVP & CHARGER

XIAO MI		
Title		
2012053		
Size	Document Number	Rev
A3	PM8058 (1 OF 4) - OVP & CHARGER	P0
Date:	Monday, July 16, 2012	Sheet 20 of 32



PM8058 (2 OF 4) - CLOCK

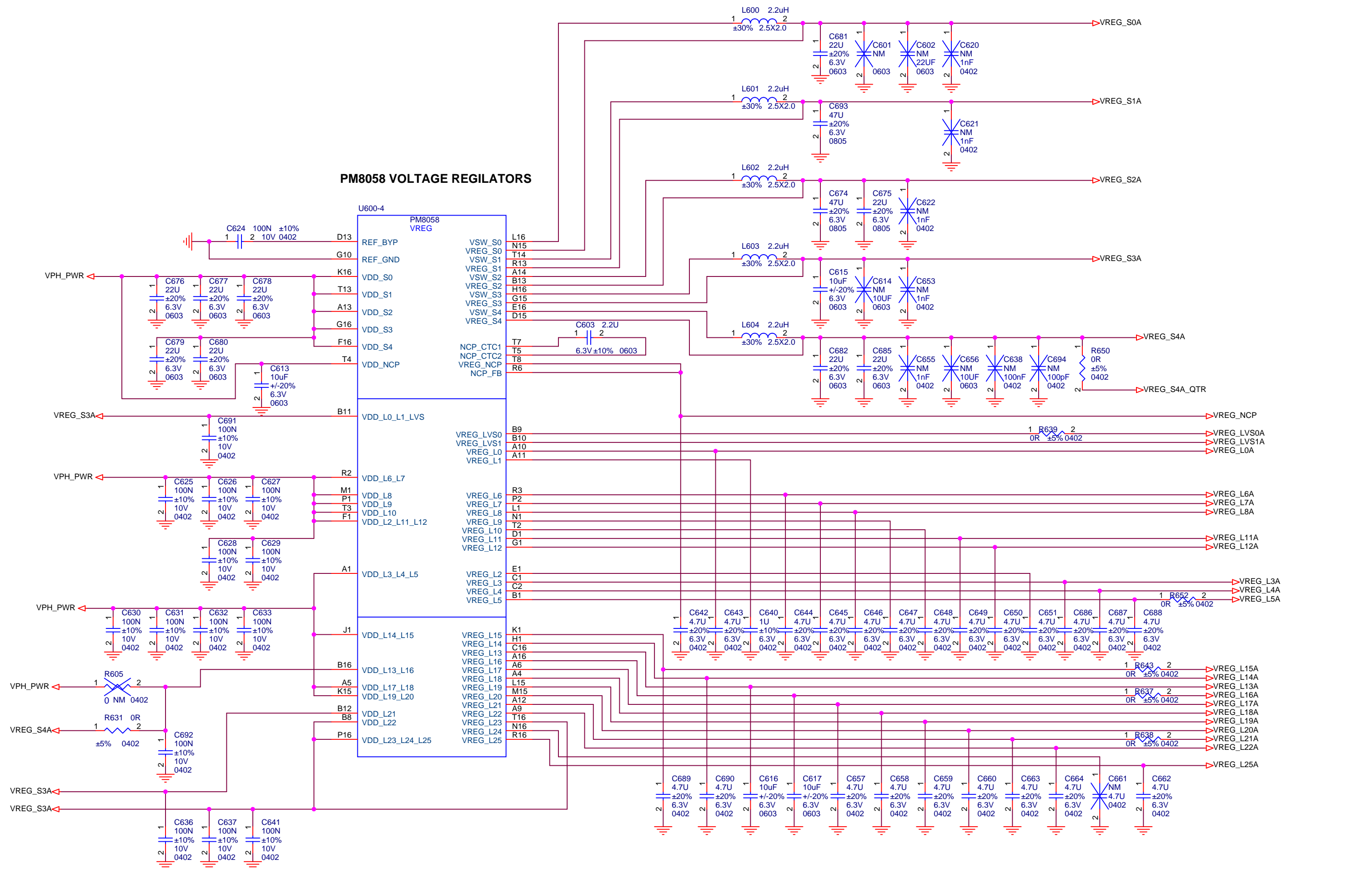
XIAO MI		
Title		
2012053		
Size	Document Number	Rev
A3	PM8058 (2 OF 4) - CLOCK	P0
Date:	Monday, July 16, 2012	Sheet 21 of 32



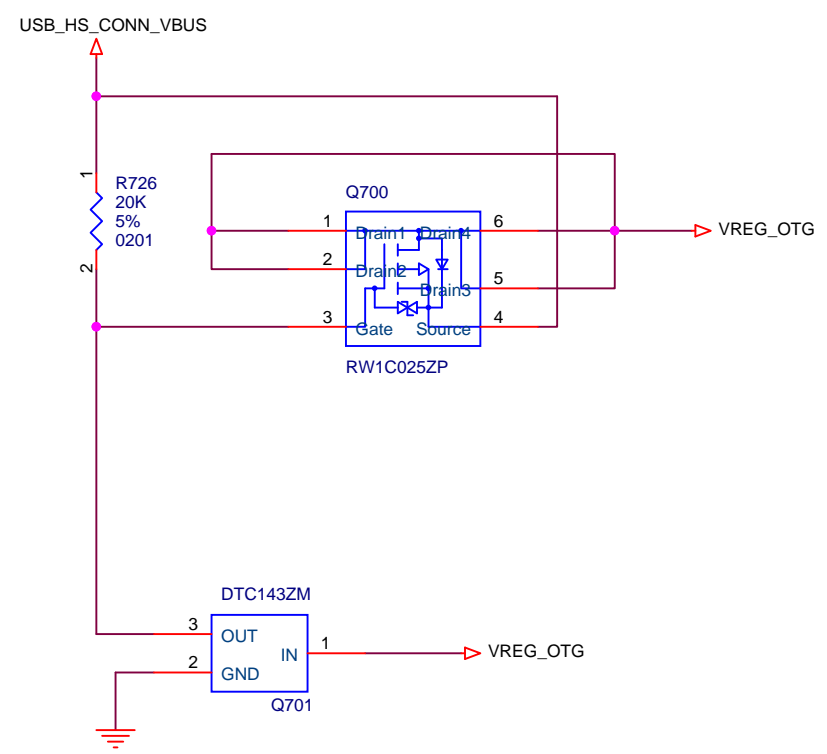
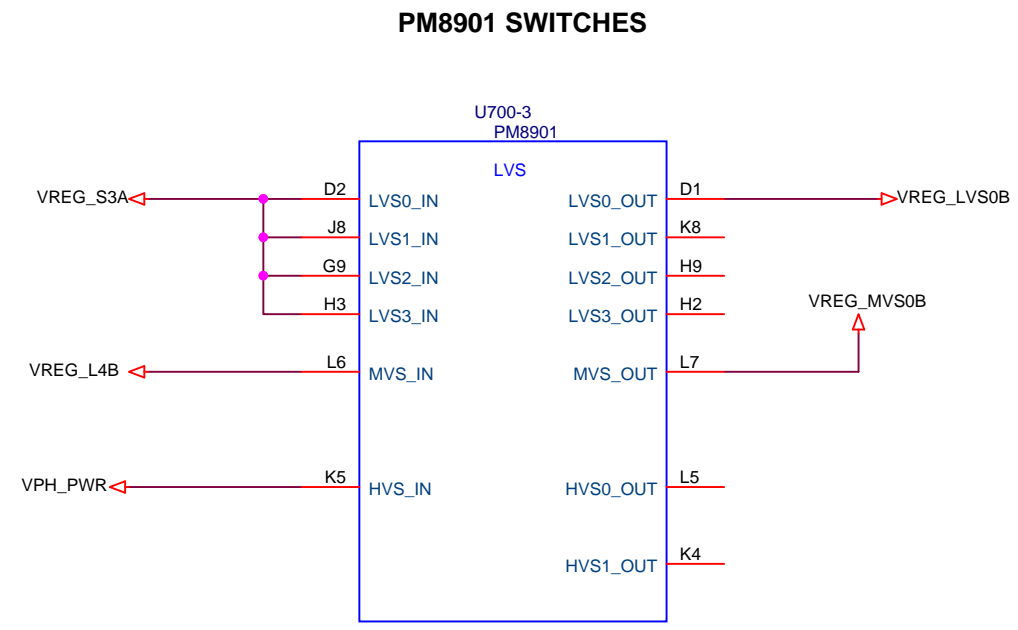
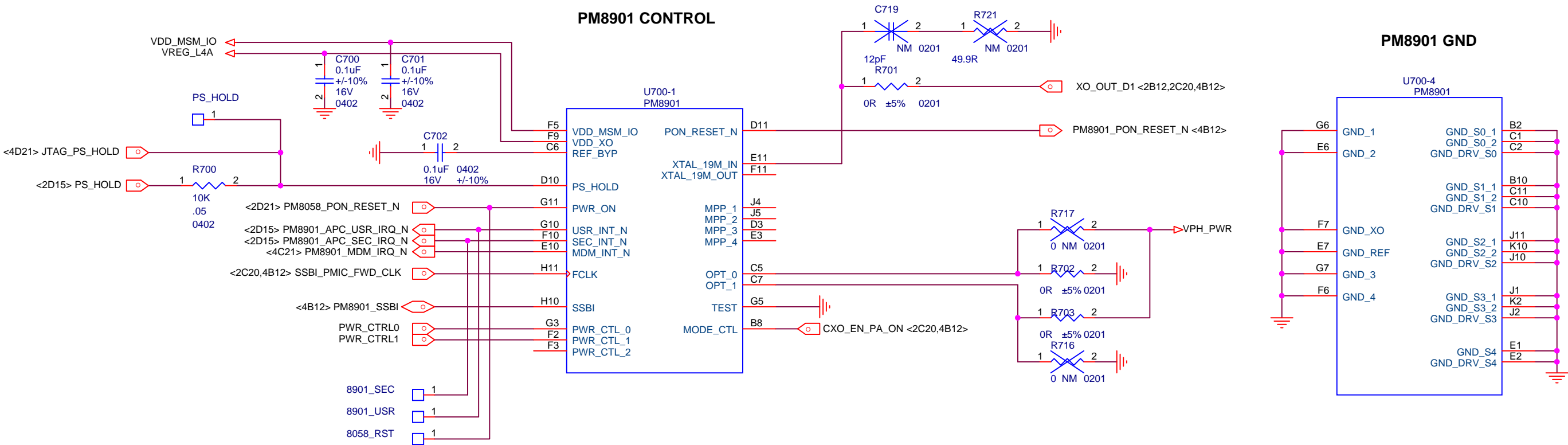
PM8058 (3 OF 4) - CONTROL & GPIO

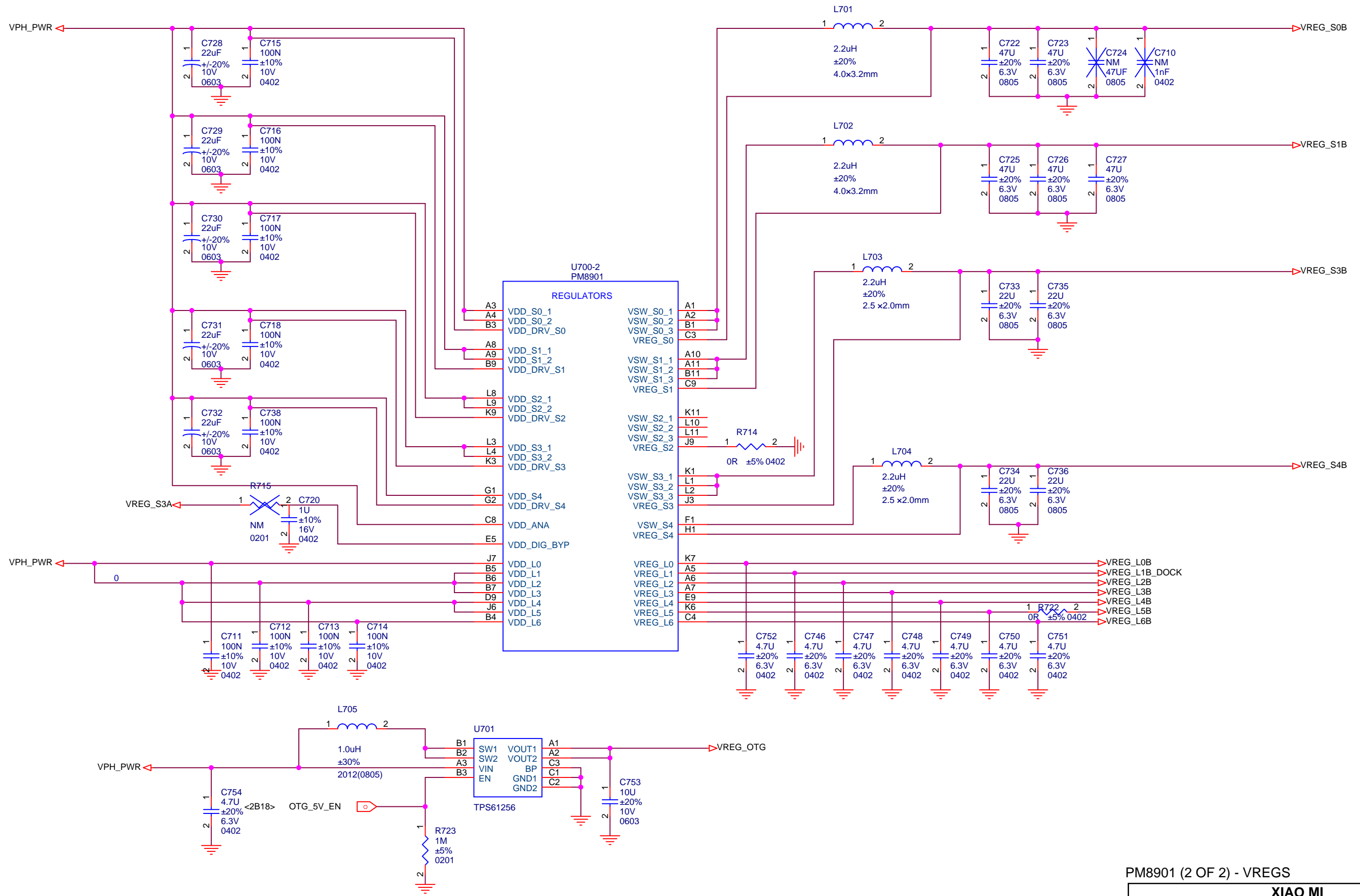
XIAO MI		
Title 2012053		
Size A3	Document Number PM8058 (3 OF 4) - CONTROL & GPIO	Rev P0
Date: Monday, July 16, 2012	Sheet 22	of 32

PM8058 VOLTAGE REGULATORS



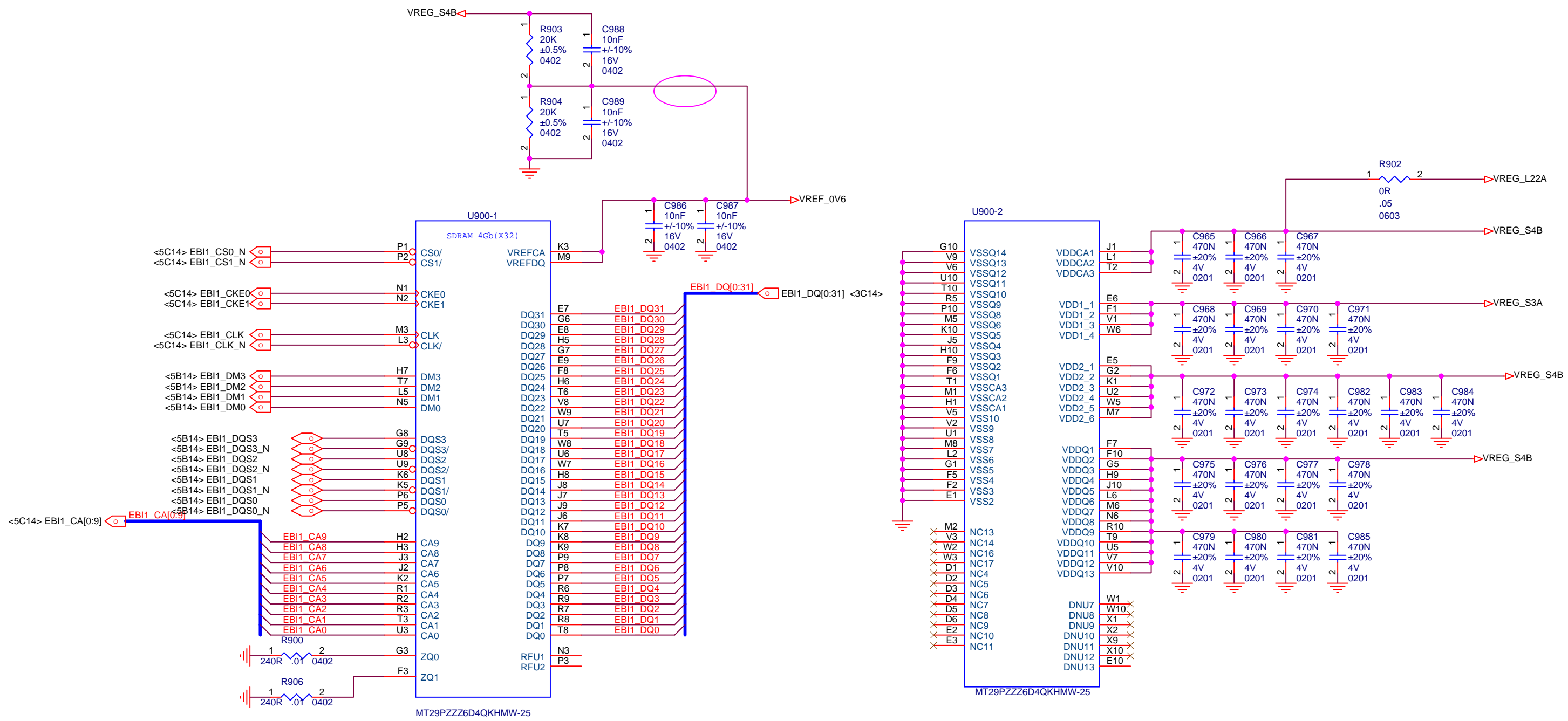
PM8058(4 OF 4) - VREGS		
Title	2012053 XIAO MI	
Size	Document Number	Rev
A3	PM8058(4 OF 4) - VREGS	P0
Date:	Monday, July 16, 2012	Sheet 23 of 32



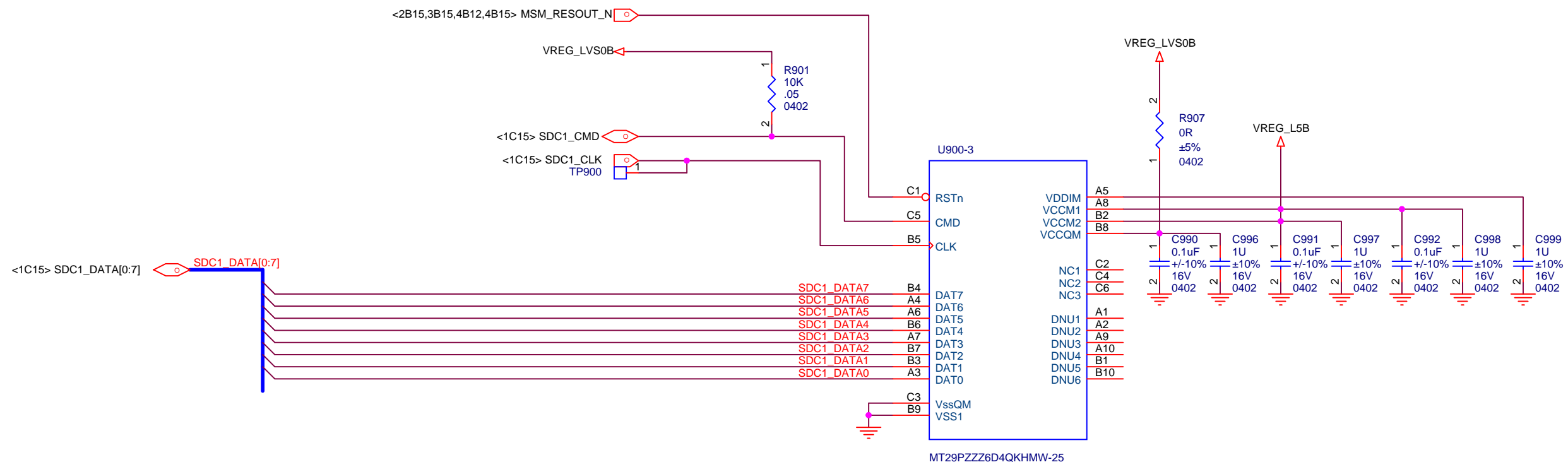


PM8901 (2 OF 2) - VREGS

XIAO MI		
Title		
2012053		
Size	Document Number	Rev
A3	PM8901 (2 OF 2) - VREGS	P0
Date:	Monday, July 16, 2012	Sheet 25 of 32

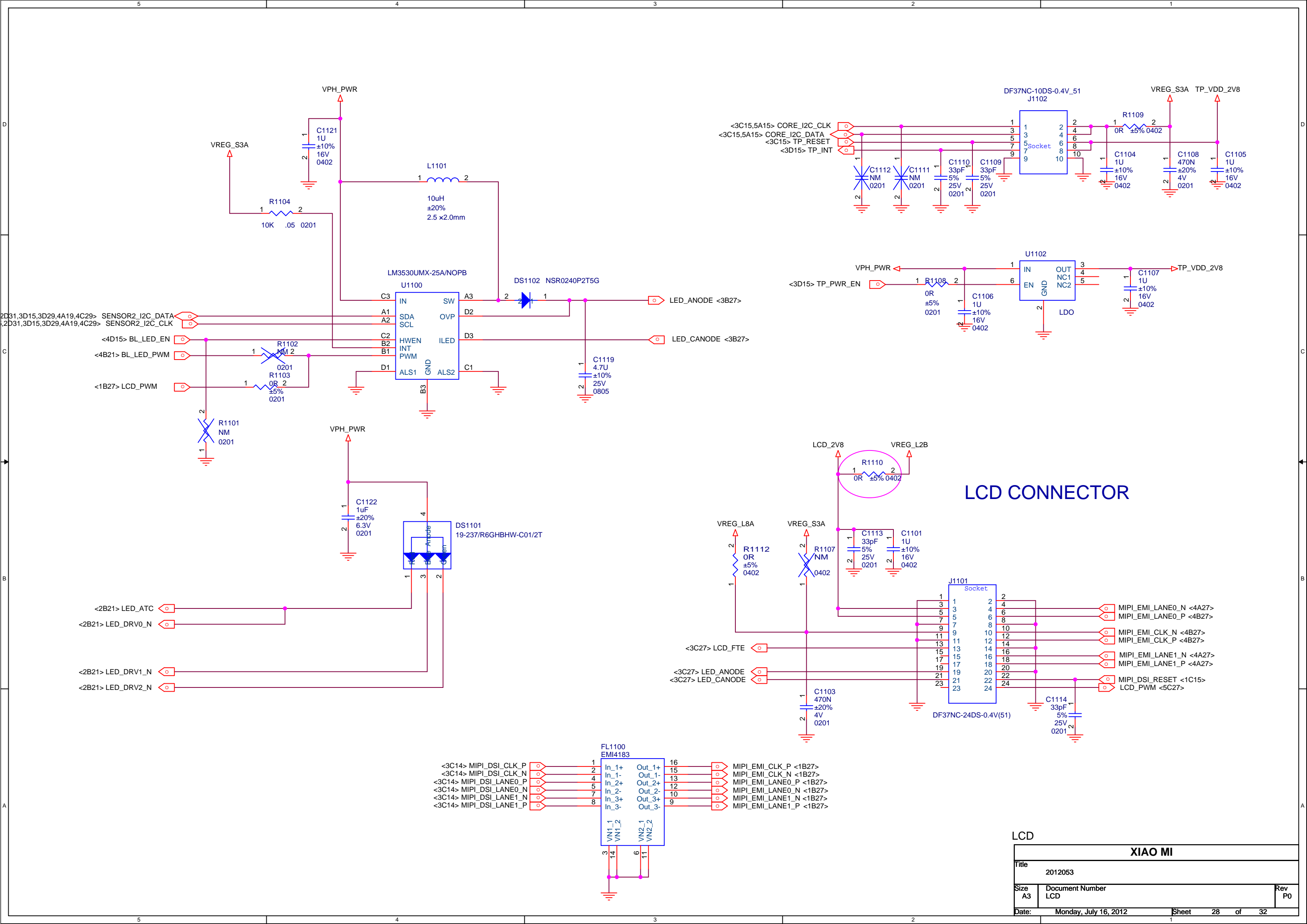


MEMORY LPDDR2		
XIAO MI		
Title		
2012053		
Size	Document Number	Rev
A3	MEMORY LPDDR2	P0
Date:	Monday, July 16, 2012	Sheet 26 of 32



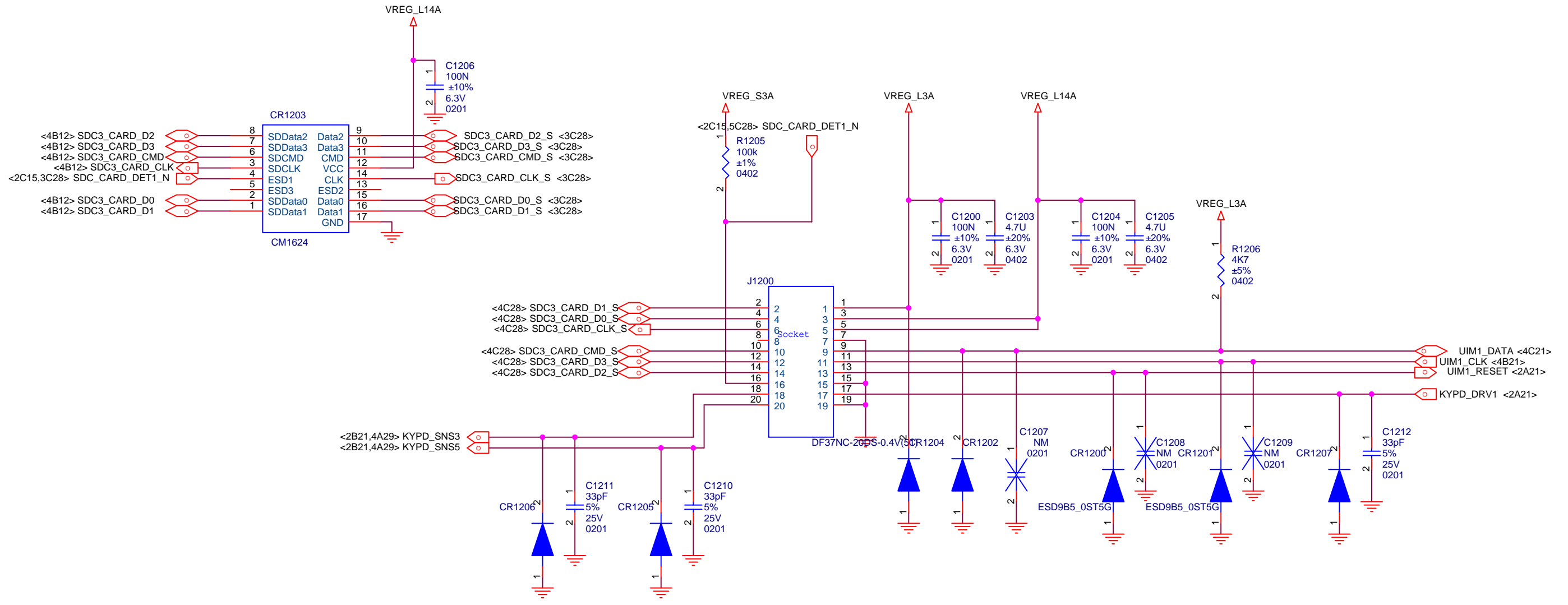
MEMORY EMMC

XIAO MI		
Title		
2012053		
Size	Document Number	Rev
A3	MEMORY EMMC	P0
Date:	Monday, July 16, 2012	Sheet 27 of 32

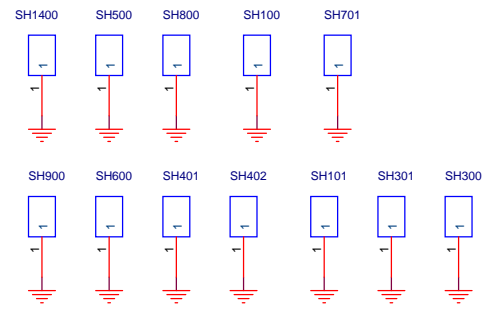
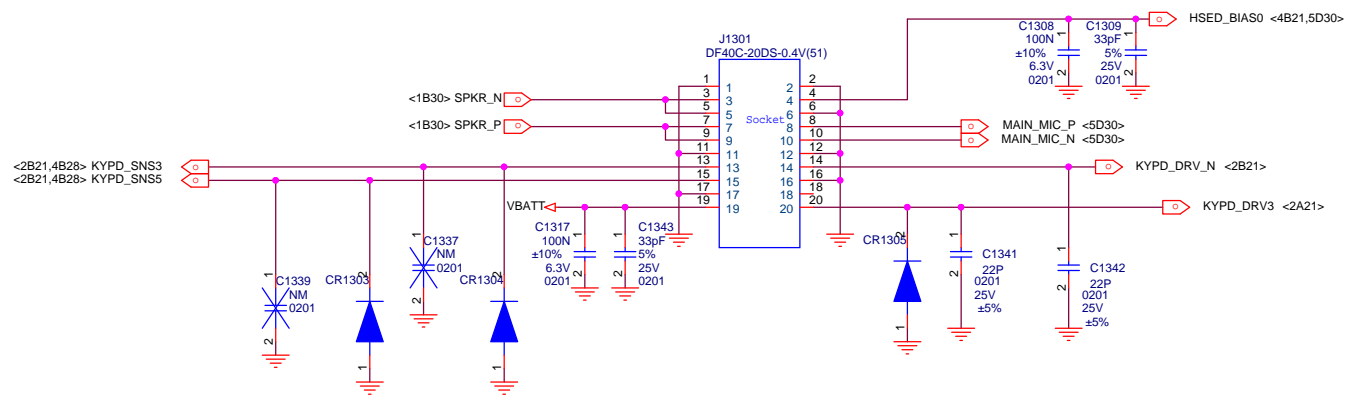
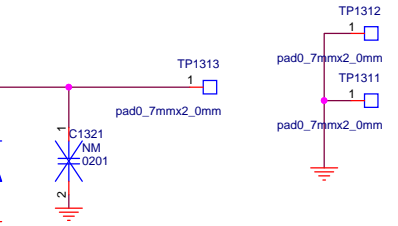
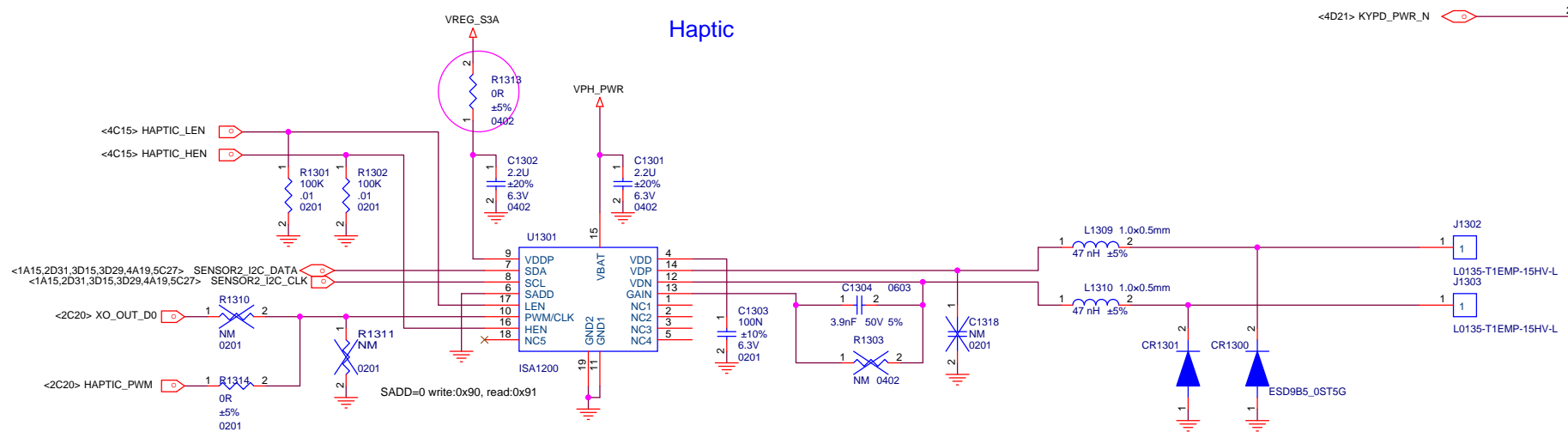
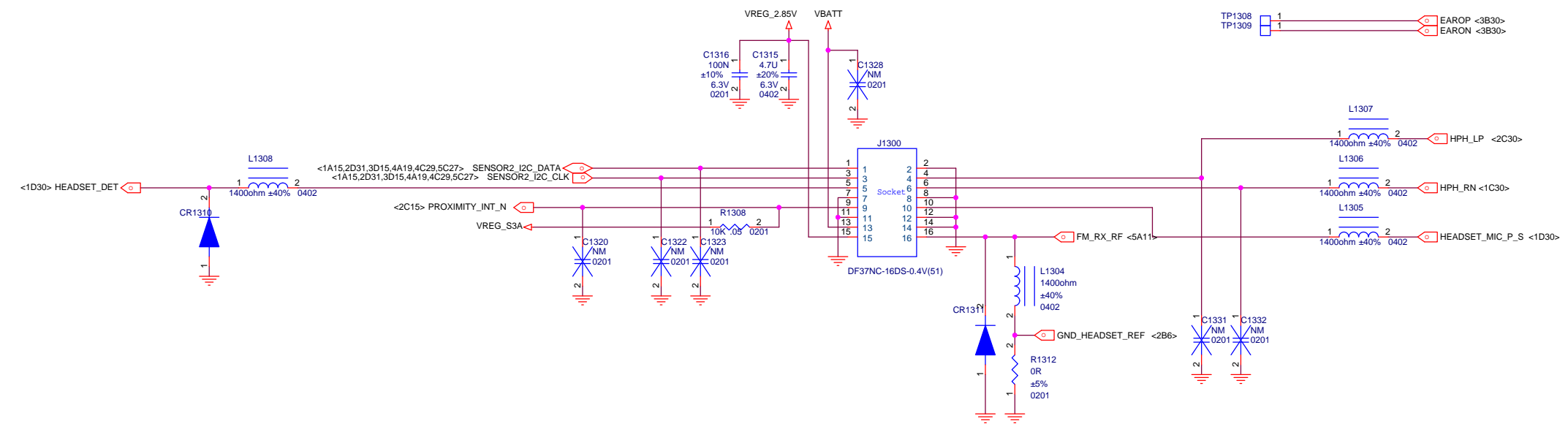
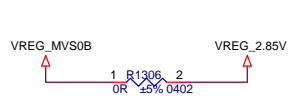


LCD CONNECTOR

LCD		
XIAO MI		
Title 2012053		
Size A3	Document Number LCD	Rev P0
Date: Monday, July 16, 2012	Sheet 28	of 32

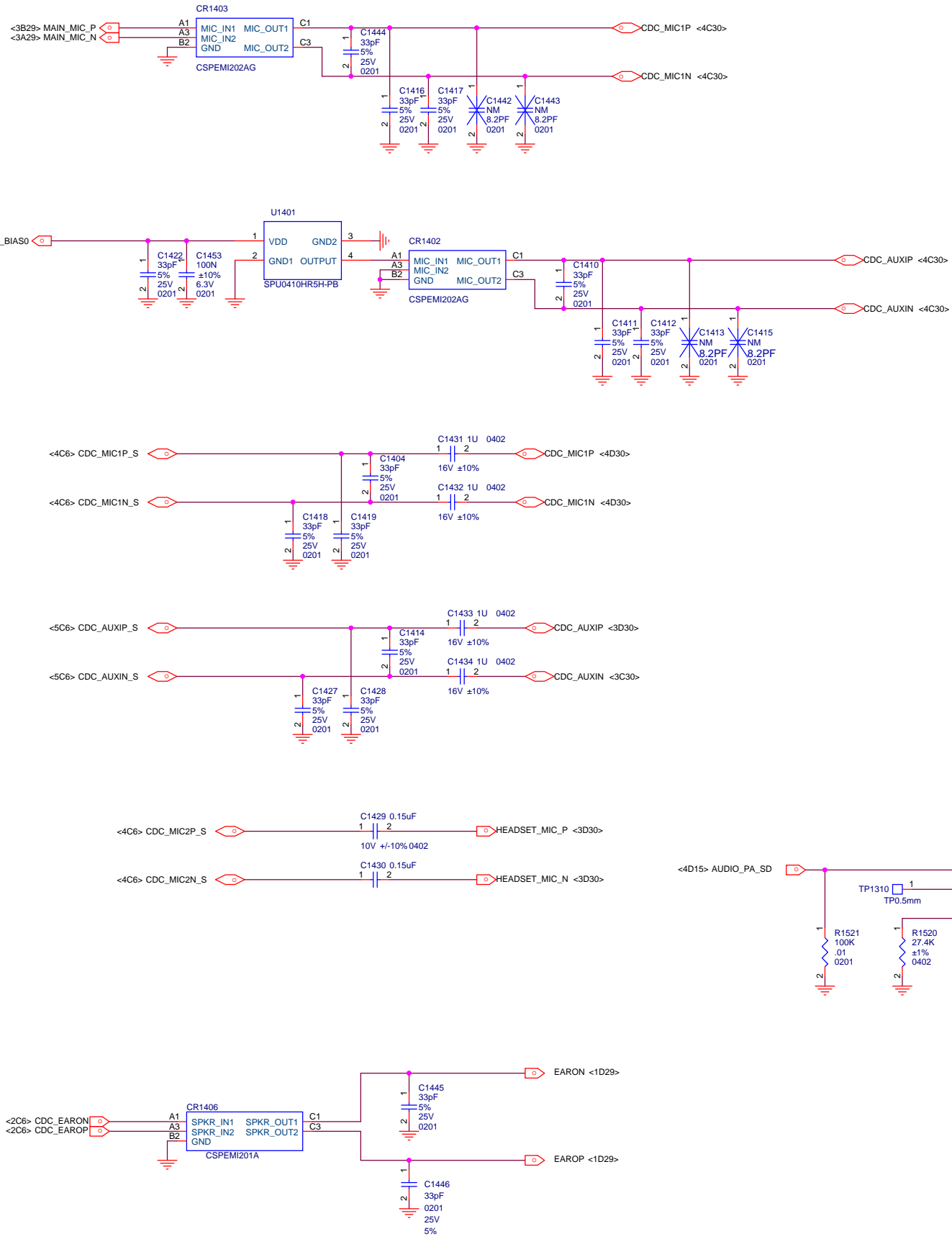


SD&SIM CONNECTOR		
XIAO MI		
Title 2012053		
Size A3	Document Number SD&SIM CONNECTOR	Rev P0
Date: Monday, July 16, 2012	Sheet 29	of 32

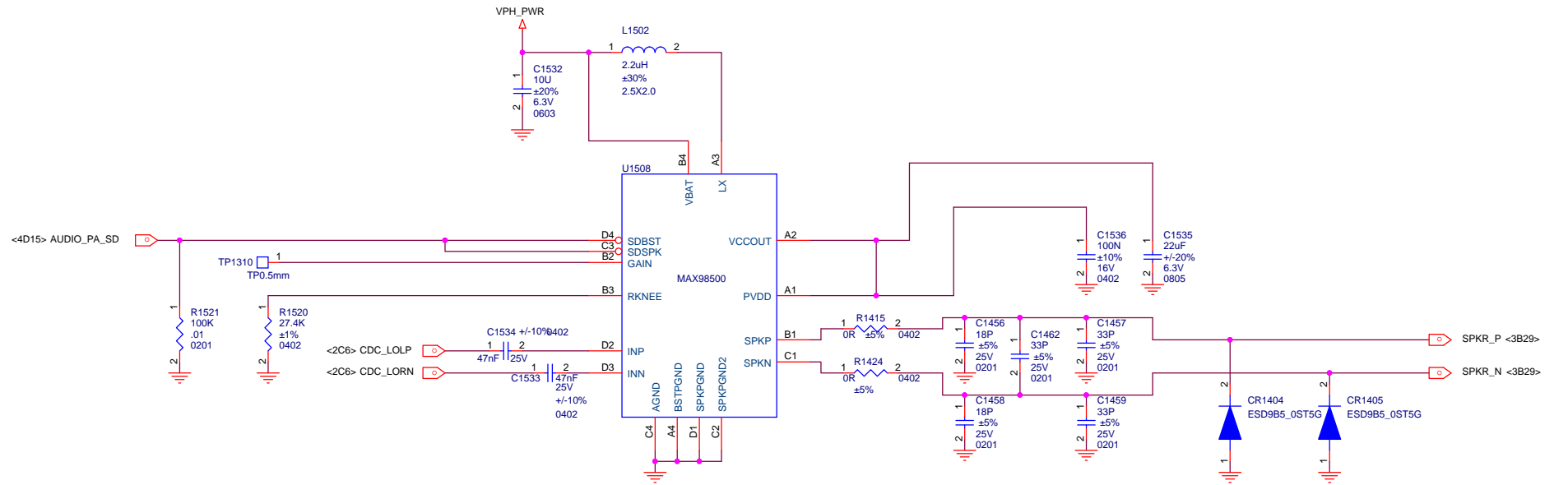
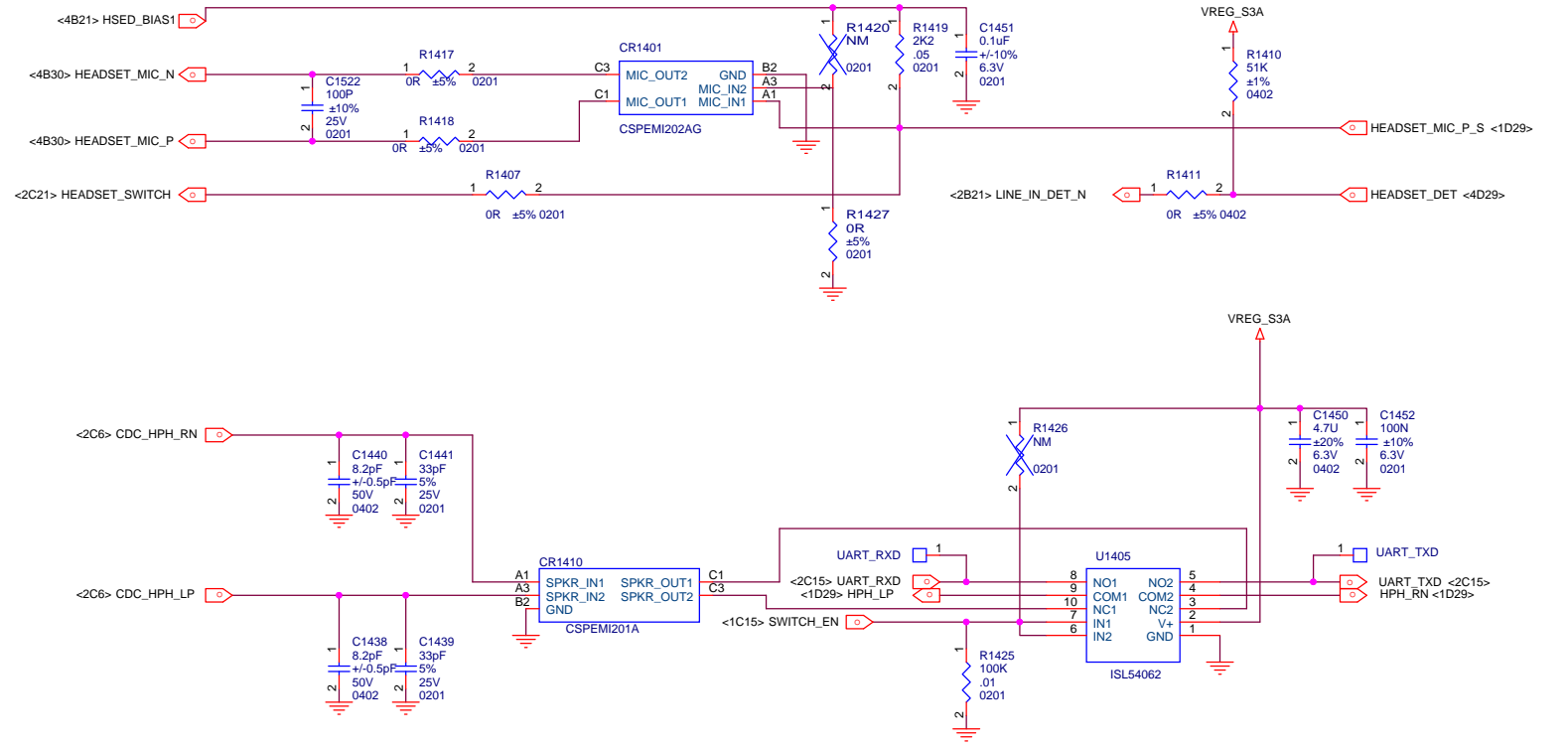


CONNECTORS		
XIAO MI		
Title	2012053	
Size	Document Number	Rev
A2	CONNECTORS	P0
Date:	Monday, July 16, 2012	Sheet 30 of 32

MIC

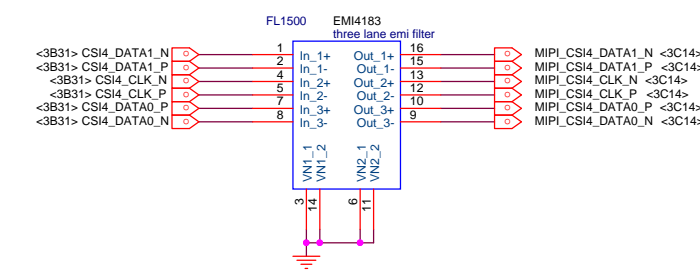
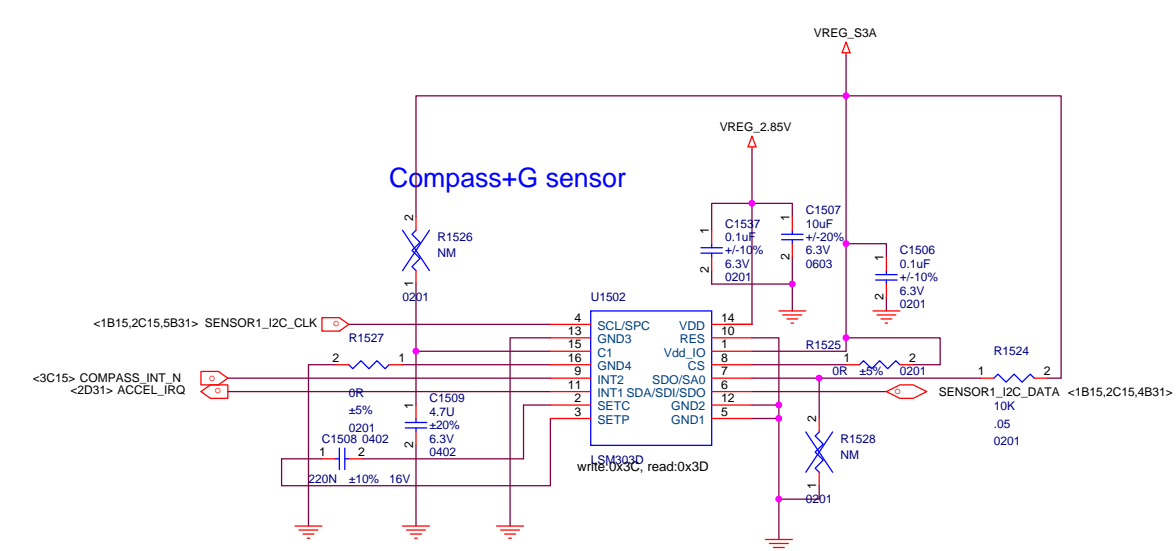
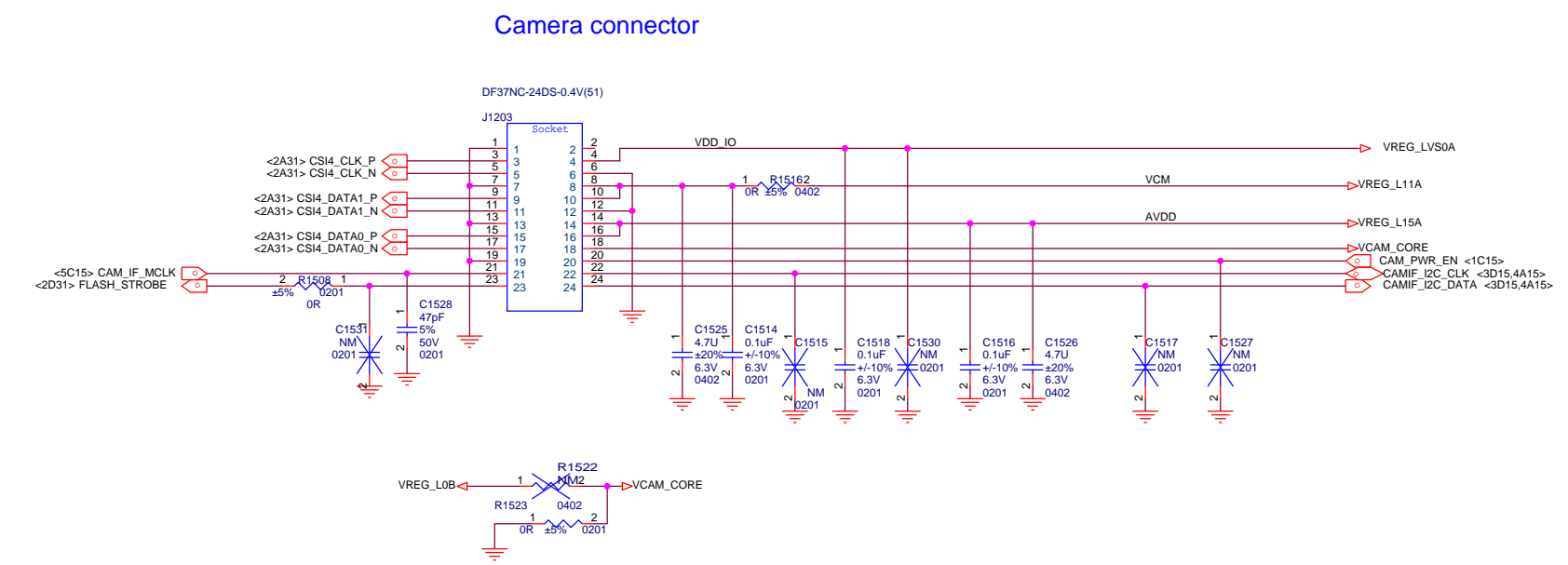
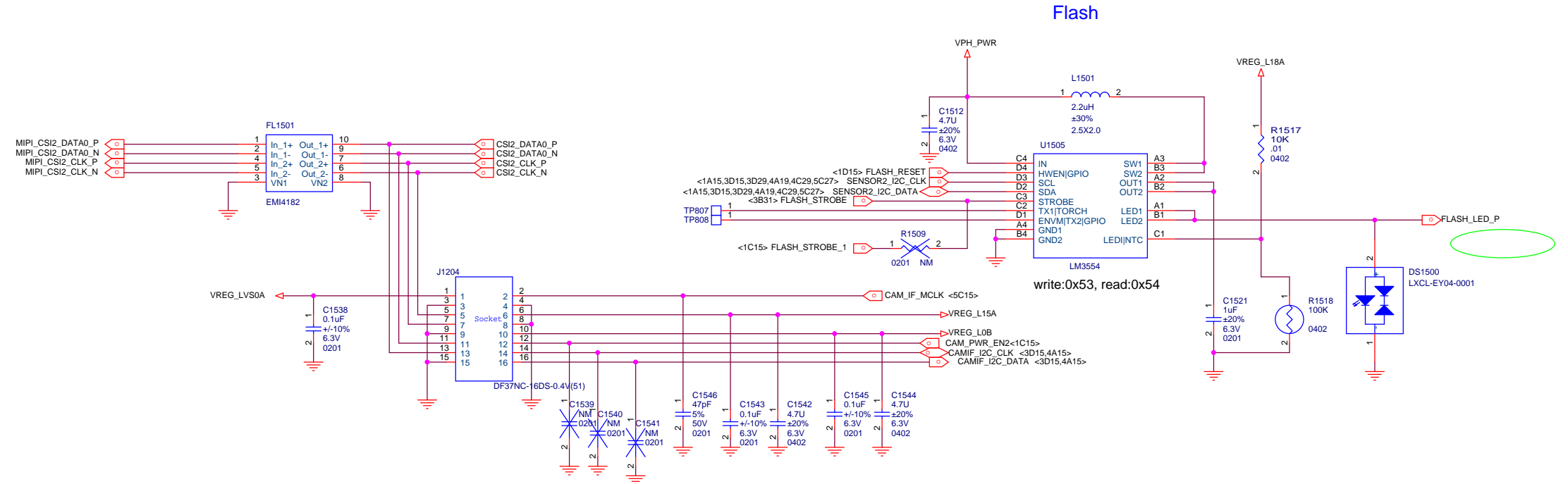


HEADSET JACK



AUDIO

XIAO MI		
Title	2012053	
Size	Document Number	Rev
A2	AUDIO	P0
Date:	Monday, July 16, 2012	Sheet 31 of 32



AUDIO		
XIAO MI		
Title	2012053	
Size	Document Number	Rev P0
A2	AUDIO	
Date:	Monday, July 16, 2012	Sheet 32 of 32